

Spare Parts List
Katalog náhradních dílů
version 06.2011

GARUDAN®

GARUDAN GF-207 Series
GARUDAN GF-210 Series



ANITA B s.r.o.

Hliníky 2068

680 01 Boskovice

Czech Republic

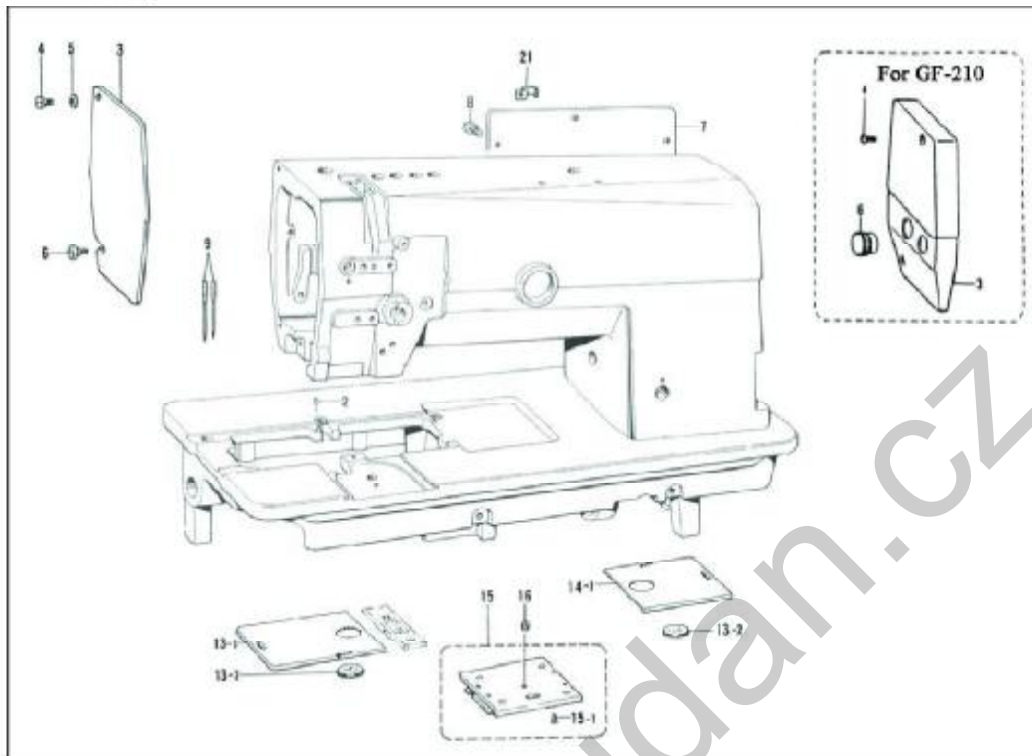
tel: +420 516 454 774,+420 516 453 496

fax: +420 516 452 751

e-mail: info@anita.cz

www.garudan.cz

A. Machine body

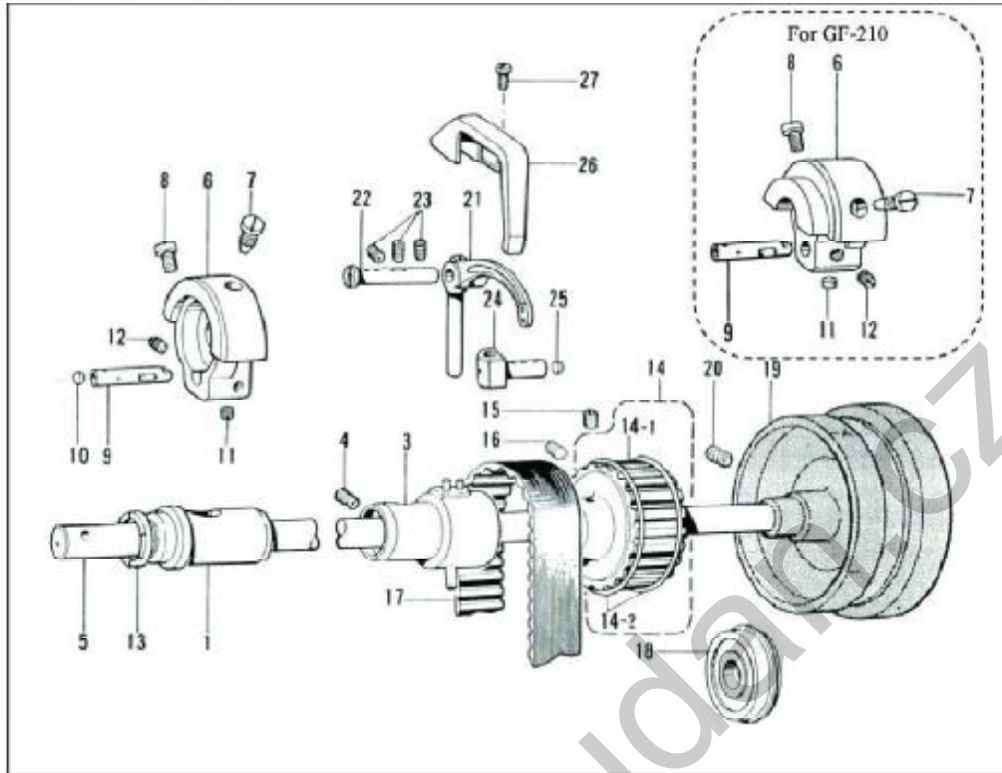


A. Machine body

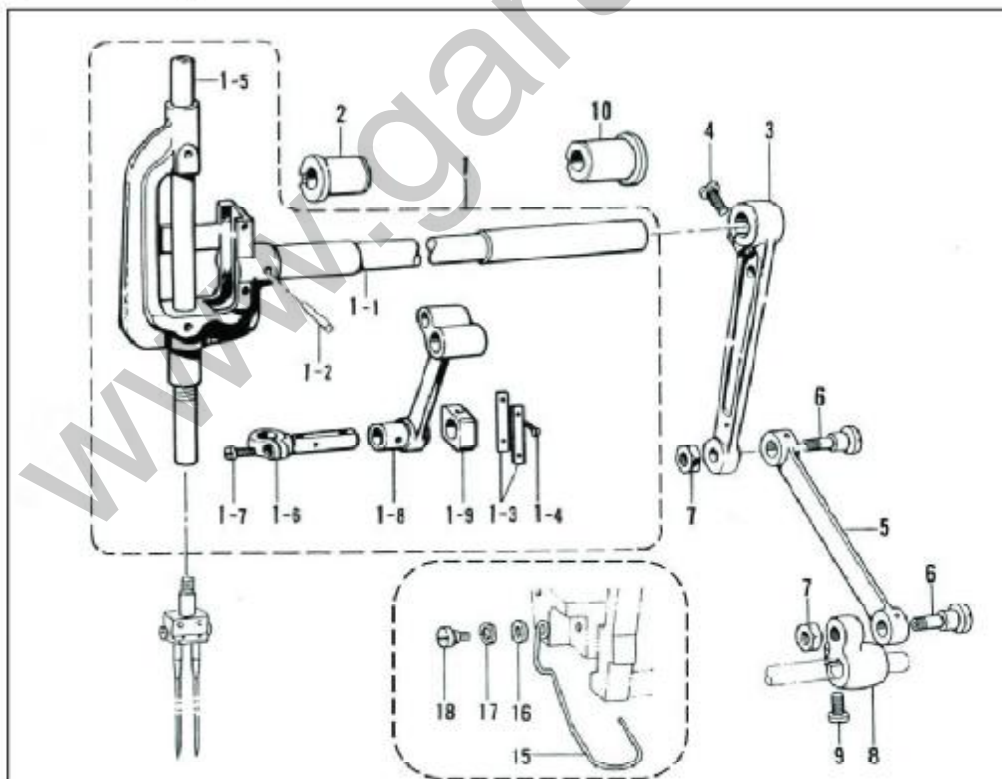
REF.NO	CODE	NAME OF PARTS	QTY
2	42A002-0000	PIN	1
3	42A003-0000	FACE PLATE	1
4	42A004-0000	STUD SCREW 3.57	1
5	42A005-0000	SPRING WASHER	1
6	42A006-0000	SCREW 3.57	1
7	42A007-0000	REAR COVER	1
8	42A008-0000	SCREW 4.37*8	7
9		NEEDLE DP*17	2
13-1	★42A013-0100	SLIDE PLATE (L)	1
13-2	42A013-0200	BOBBIN WINDOW	2
14-1	42A014-0100	SLIDE PLATE (R)	1
15	42A015-0000	SLIDE PLATE (F) ASSEMBLY	1
16	42A016-0000	STE SCREW M5*0.8	1
THREAD TRIMMER			
15	42TA015-0000	SLIDE PLATE (F) ASSEMBLY	1
21	42TL020-0000	CORD HOLDER	3
For GF-210			
3	45CA003-0000	FACE PLATE	1
4	42A008-0000	SCREW 4.37*8	2
6	45CA006-0000	FACE PLATE CAP	2

©Refer to page 33 for items marked with an asterisk (★)

B. Upper shaft mechanism



C. Needle bar rocking mechanism



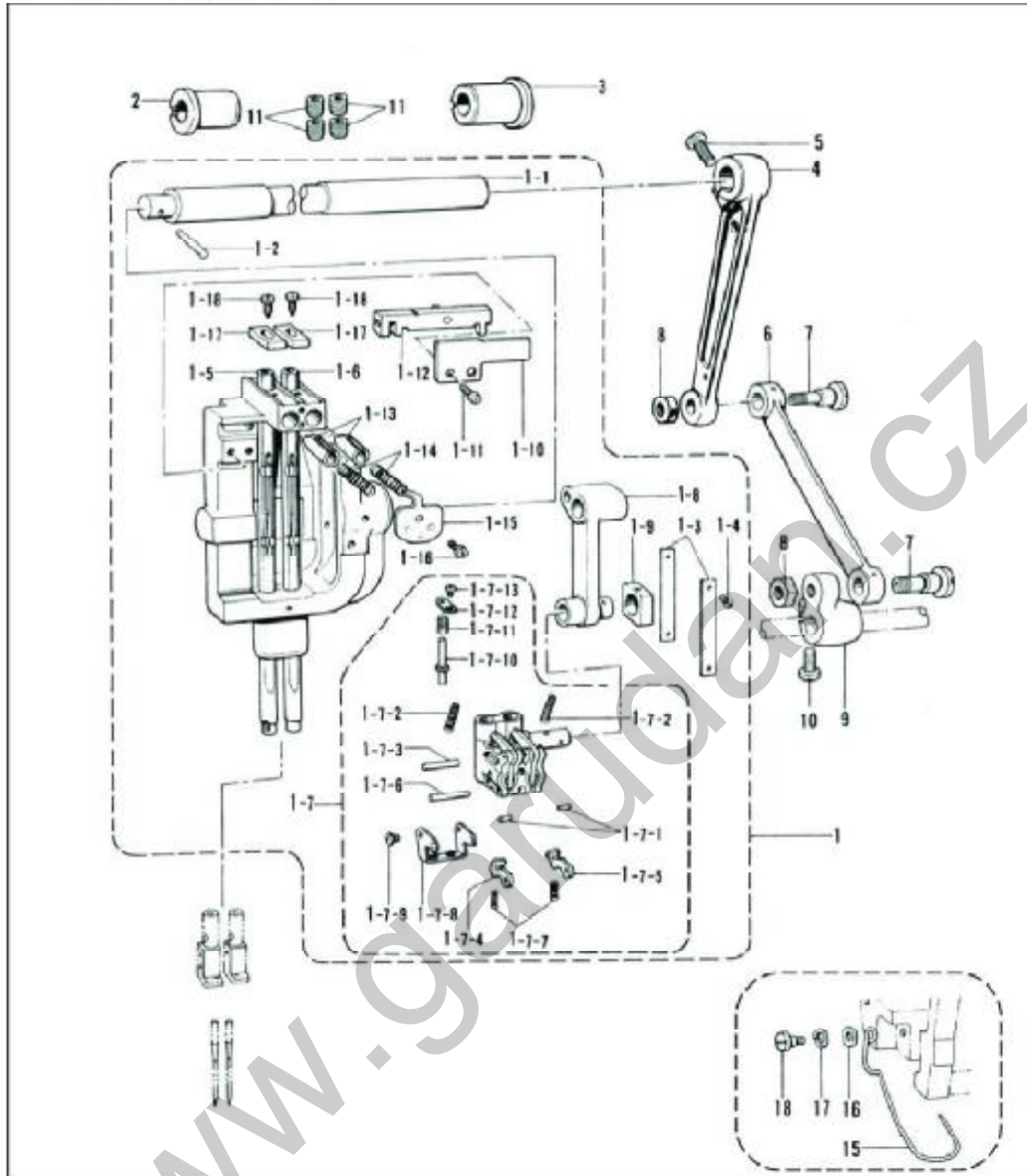
B.Upper shaft mechanism

REF.NO	CODE	NAME OF PARTS	QTY
1	42B001-0100	UPPER SHAFT BUSH (L)	1
3	42B003-0000	UPPER SHAFT BUSH (M) ASSEMBLY	1
4	42B004-0000	SET SCREW 6.35	1
5	42B005-0000	UPPER SHAFT	1
6	42B006-0100	THREAD TAKE-UP CRANK	1
7	42B007-0000	SCREW 7.14	1
8	42B008-0000	SET SCREW 7.14	1
9	42B009-0100	NEEDLE BAR CRANK	1
10	42B010-0000	PUSHER	1
11	42B011-0000	SET SCREW 6.35	1
12	42B012-0000	SET SCREW 6.35	1
13	42B013-0100	THREAD TAKE-UP CRANK RING	1
14	42B014-0000	TIMING BELT WHEEL (U) ASSEMBLY	1
15	42B015-0000	SET SCREW 6.35	1
16	42B016-0000	SET SCREW 6.35*10	1
17	42B017-0000	TIMING BELT	1
18	42B018-0000	BALL BEARING 6204ZZNR	1
19	42B019-0000	PULLEY	1
20	42B020-0000	SET SCREW 5.95*14	2
21	42B021-0100	THREAD TAKE-UP	1
22	42B022-0000	THREAD TAKE-UP SHAFT	1
23	42B002-0000	SET SCREW 6.35	3
24	42B024-0000	THREAD TAKE-UP SLIDE BLOCK	1
25	42B025-0000	PUSHER	1
26	42B026-0000	THREAD TAKE-UP COVER	1
27	42B027-0000	SCREW 3.57*5	2
For GF-207-44s, GF-210-44s			
21	72B021-0100	THREAD TAKE-UP	1
For GF-210			
24	45CB024-0000	THREAD TAKE-UP SLIDE BLOCK	1
6	45CB006-0100	THREAD TAKE-UP CRANK	1
9	45CB009-0100	NEEDLE BAR CRANK	1
THREAD TRIMMER			
14	42TB014-0000	TIMING BELT WHEEL (U) ASSEMBLY	1
17	42TB017-0000	TIMING BELT	1
19	42TB019-0000	PULLEY	1

C. Needle bar rocking mechanism (For GF-207)

REF.NO	CODE	NAME OF PARTS	QTY
1	42C001-0000	NEEDLE BAR ROCK SHAFT ASSEMBLY	1
1-1	42C001-0100	NEEDLE BAR SUPPORT	1
1-2	42C001-0200	TAPER PIN	1
1-3	42C001-0300	GUIDE PLATE	2
1-4	42C001-0400	SCREW 2.38	4
1-5	42C001-0500	NEEDLE BAR	1
1-6	42C001-0600	NEEDLE BAR CLAMP	1
1-7	42C001-0700	SCREW 3.57*8	1
1-8	42C001-0800	NEEDLE BAR CRANK ROD	1
1-9	42C001-0900	NEEDLE BAR GUIDE SLIDE BLOCK	1
2	42C002-0000	NEEDLE BAR ROCK SHAFT BUSH (L)	1
3	42C003-0000	NEEDLE BAR CONNECTING ROD	1
4	42C009-0000	SCREW 6.35*18	1
5	42C005-0000	NEEDLE BAR ROCK LINK	1
6	42C006-0000	NEEDLE BAR ROCK LINK STUD	2
7	42C007-0000	NUT 7.94	2
8	42C008-0000	NEEDLE BAR CONNECTING CRANK	1
9	42C009-0000	SCREW 6.35*18	1
10	42C010-0000	NEEDLE BAR ROCK SHAFT BUSH (R)	1
15	42C015-0000	FINGER GUARD	1
16	42C016-0000	WASHER, PLAIN 5	1
17	42C017-0000	WASHER, SPRING 2/4.37	1
18	42C018-0000	SHOULDER SCREW, SM3.57	1

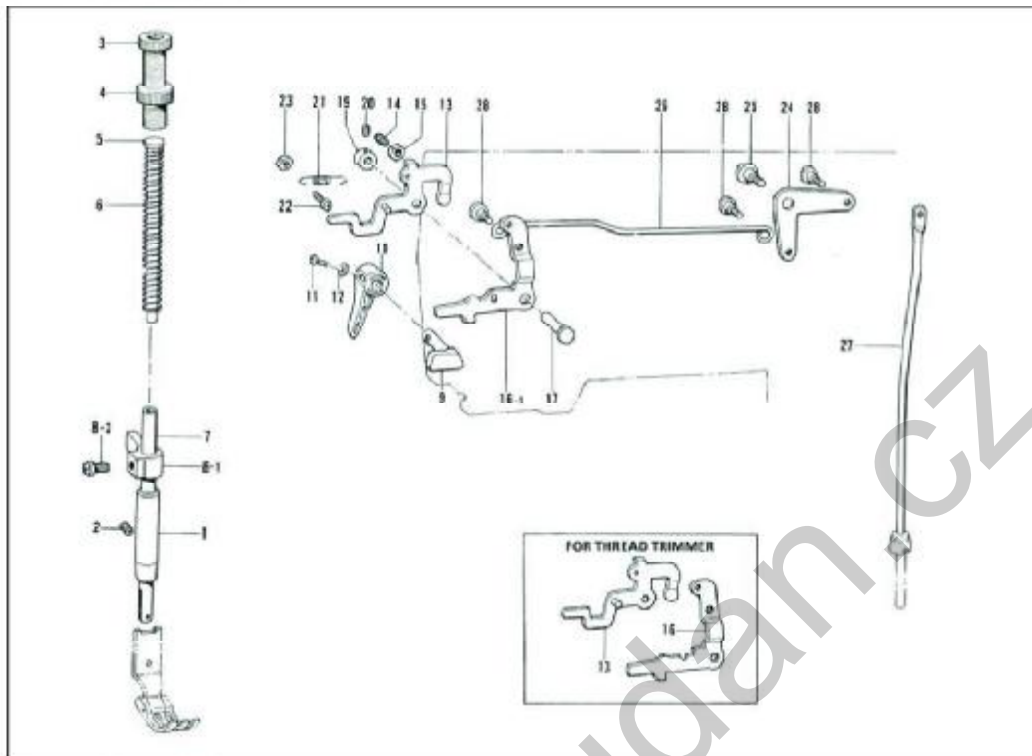
CD. Needle bar rocking mechanism



CD. Needle bar rocking mechanism (For GF-210)

REF.NO	CODE	NAME ROCK SHAFT ASSEMBLY	QTY
1	45CD001-0000	NEEDLE BAR ROCK SHAFT ASSEMBLY	1
1-1	42C001-0000	NEEDLE BAR ROCK SHAFT	1
1-2	42C001-0200	TAPER PIN	1
1-3	42C001-0300	GUIDE PLATE	2
1-4	42C001-0400	SCREW 2.38	4
1-5	45CD001-0500	NEEDLE BAR (L) ASSEMBLY	1
1-6	45CD001-0600	NEEDLE BAR (R) ASSEMBLY	1
1-7	45CD001-0700	NEEDLE BAR CLAMP ASSEMBLY	1
1-7-1	45CD001-0701	PIN 1.5-5.8	2
1-7-2	45CD001-0702	SPRING	2
1-7-3	45CD001-0703	PIN 1.5*5.8	1
1-7-4	45CD001-0704	CLUTCH STOPPER (L)	1
1-7-5	45CD001-0705	CLUTCH STOPPER (R)	1
1-7-6	45CD001-0706	PIN 2*17.8	1
1-7-7	45CD001-0707	SPRING	2
1-7-8	45CD001-0708	SPRING HOLDER	1
1-7-9	45CD001-0709	SCREW 2.38	2
1-7-10	45CD001-0710	PIN	1
1-7-11	45CD001-0711	SPRING	1
1-7-12	45CD001-0712	PIN COVER	1
1-7-13	45CD001-0713	SCREW 2.38	1
1-8	45CD001-0800	NEEDLE BAR CRANK ROD	1
1-9	45CD001-0900	SLIDE BLOCK	1
1-10	45CD001-1000	SLIDE BLOCK GUIDE PLATE	1
1-11	45CD001-1100	SCREW 3.57*8	2
1-12	★	SLIDE BLOCK ASSEMBLY	1
1-13	45CD001-1300	NEEDLE BAR STOPPER	2
1-14	45CD001-1400	SPRING	2
1-15	45CD001-1500	SPRING COVER	1
1-16	45CD001-1600	SCREW 3.18*15	1
1-17	45CD001-1700	NEEDLE BAR ROTATE STOPPER	2
1-18	45CD001-1800	SCREW 3.18	2
2	42C002-0000	NEEDLE BAR ROCK SHAFT BUSH (L)	1
3	42C010-0000	NEEDLE BAR ROCK SHAFT BUSH (R)	1
4	42C003-0000	NEEDLE BAR CONNECTING ROD	1
5	42C009-0000	SCREW 6.35*18	1
6	42C005-0000	NEEDLE BAR ROCK LINK	1
7	42C006-0000	NEEDLE BAR ROCK LINK STUD	1
8	42C007-0000	NUT 7.94	2
9	42C008-0000	NEEDLE BAR CONNECTING CRANK	2
10	42C009-0000	SCREW 6.35*18	1
11	45CD011-0000	SCREW 7.94	4
15	42C015-0000	FINGER GUARD	1
16	42C016-0000	WASHER, PLAIN 5	1
17	42C017-0000	WASHER, SPRING 2/4.37	1
18	42C018-0000	SHOULDER SCREW, SM3.57	1
REF.NO CD1-12	★ Slide Block Assembly	Mark	CODE
		25	45CD001-1225
		30	45CD001-1230
		35	45CD001-1235
		40	45CD001-1240
		45	45CD001-1245
		50	45CD001-1250
		55	45CD001-1255
		60	45CD001-1260
		65	45CD001-1260
		70	45CD001-1270
	75	45CD001-1275	
	80	45CD001-1280	

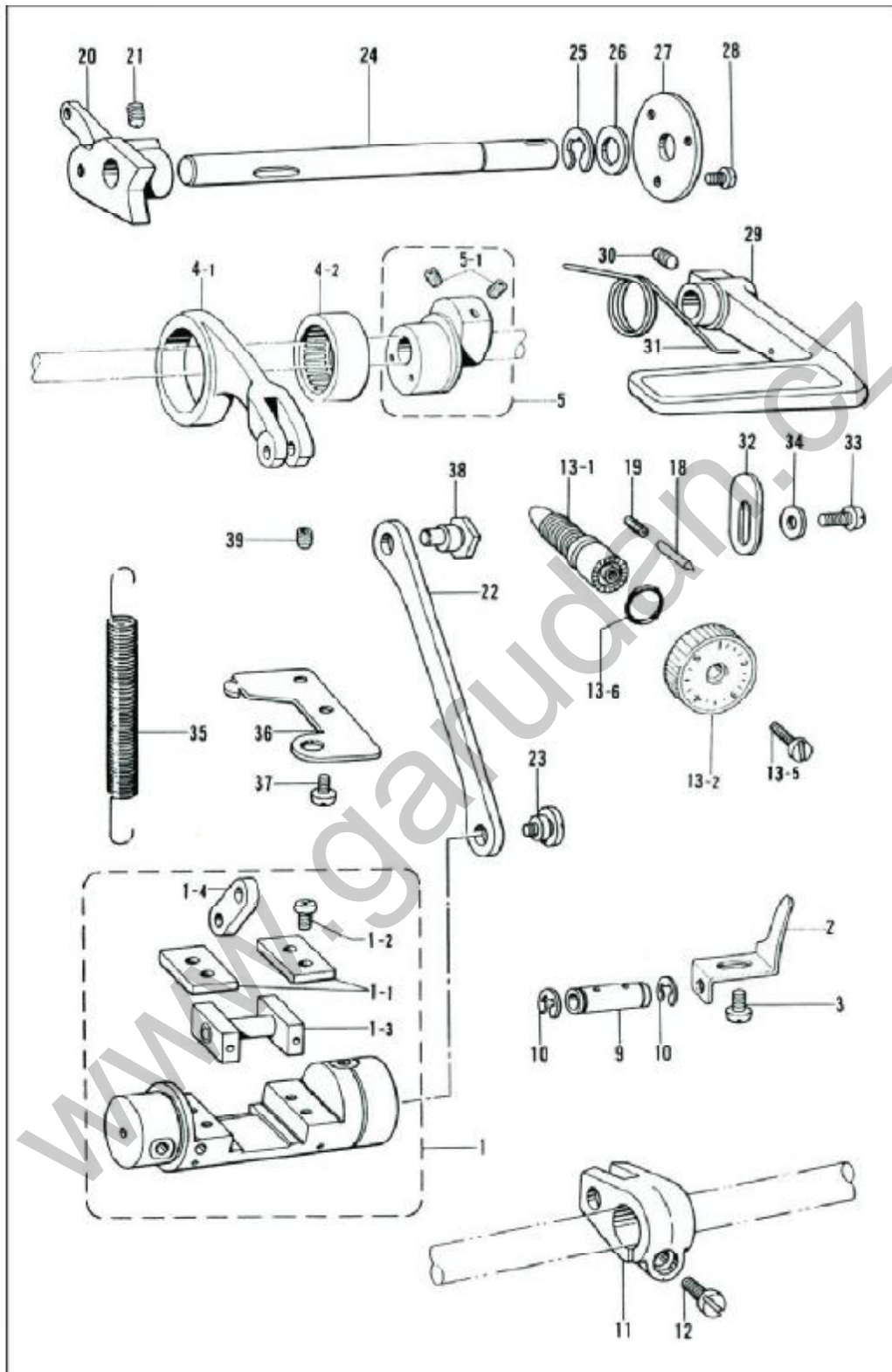
D. Presser foot mechanism



D. Presser foot mechanism

REF.NO	CODE	NAME OF PARTS	QTY
1	42D001-0000	PRESSER BAR BUSH	1
2	42B002-0000	SET SCREW 6.35	1
3	42D003-0000	PRESSER ADJUSTING SCREW	1
4	42D004-0000	NUT	1
5	42D005-0000	PRESSER SPRING GUIDE	1
6	42D006-0000	PRESSER SPRING	1
7	42D007-0000	PRESSER BAR	1
8-1	42D008-0100	PRESSER BAR GUIDE CLAMP	1
8-2	42D008-0200	SCREW 5.95	1
9	42D009-0000	PRESSER BAR LIFTER CRANK	1
10	42D010-0000	PRESSER BAR LIFTER LEVER	1
11	42D011-0000	SCREW	1
12	42D012-0000	WASHER	1
13	42D013-0100	TENSION RELEASE PLATE ASSEMBLY	1
14	42D014-0000	SET SCREW 6.35	1
15	42D015-0000	NUT-6.35	1
16-1	42D016-0100	PRESSER LIFTER LEVER	1
17	42D017-0000	PRESSER LIFTER LEVER STUD	1
19	42D019-0000	SET COLLAR	1
20	42A017-0000	SET SCREW 4.37	2
21	42D021-0000	PRESSER LIFTER LEVER SPRING	1
22	42D022-0000	SCREW 3.57*14	1
23	42D023-0000	NUT 3.57	1
24	42D024-0000	KNEE LIFTER LEVER	1
25	42D025-0000	STUD SCREW 6.35	1
26	42D026-0000	KNEE LIFTER CONNECTOR	1
27	42D027-0000	KNEE LIFTER BAR	1
28	42D028-0000	STUD SCREW 4.76	3
THREAD TRIMMER			
13-1	42TD013-0100	TENSION RELEASE PLATE ASSEMBLY	1
16	42TD016-0000	PRESSER LIFTER LEVER	1

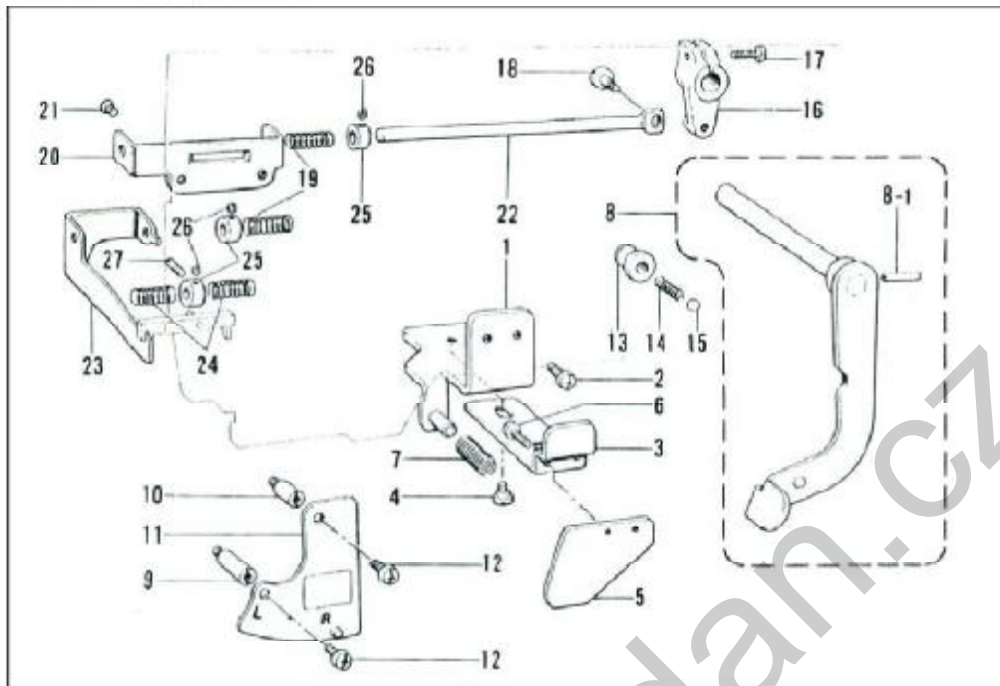
E. Feed mechanism



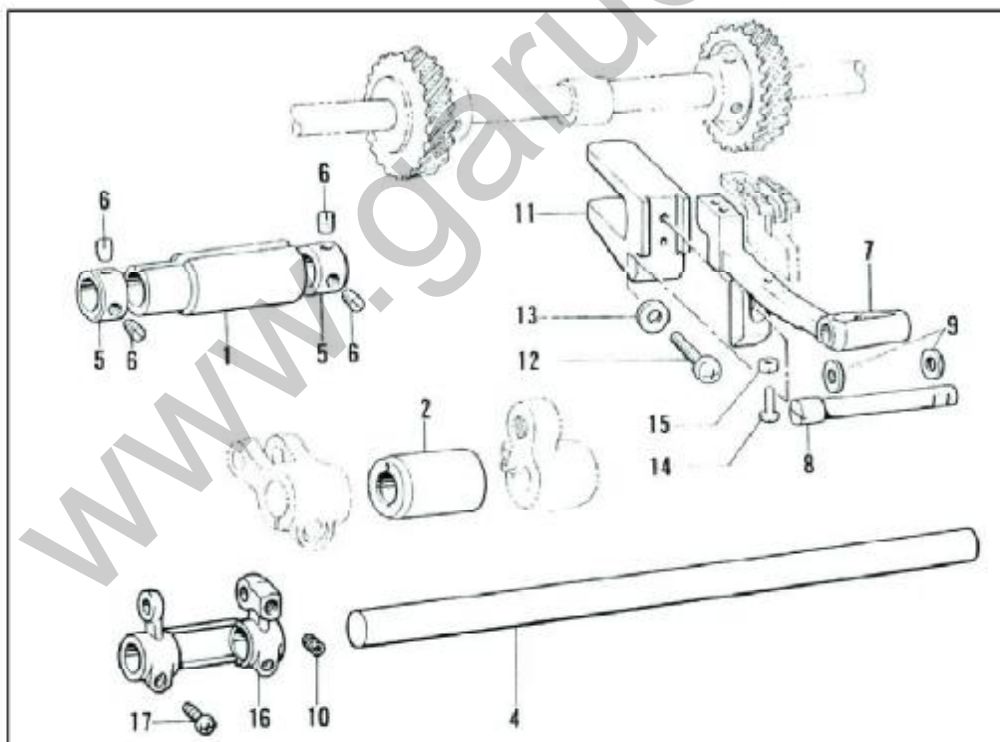
E. Feed mechanism

REF.NO	CODE	NAME OF PARTS	QTY
1	42E001-0000	FEED REGULATOR ASSEMBLY	1
1-1	42E001-0100	SLIDE BLOCK GUIDE PLATE	2
1-2	42A008-0000	SCREW 4.37*8	4
1-3	42E001-0300	FEED REGULATOR SLIDE ASSEMBLY	1
1-4	42E001-0400	FEED ROCK ARM LINK	1
2	42E002-0000	FEED REGULATOR STOPPER	1
3	42E003-0000	SCREW 4.76*6	1
4-1	42E004-0100	FEED ROCK CONNECTING ROD	1
4-2	42E004-0200	NEEDLE BEARING	1
5	42E005-0000	LEVEL FEED ECCENTRIC WHEEL	1
5-1	42B015-0000	SET SCREW 6.35	2
9	42E009-0000	FEED ROCK ARM STUD	1
10	42E010-0000	STOP RING E6	2
11	42E011-0000	FEED ROCK ARM	1
12	42C009-0000	SCREW 6.35*18	1
13-1	42E013-0100	LENGTH REGULATING SCREW	1
13-2	42E013-0200	STITCH LENGTH CONTROL DIAL	1
13-5	42E013-0500	SCREW 4.76	1
13-6	42E013-0600	O RING	1
18	42E018-0000	PIN	1
19	42E019-0000	SPRING	1
20	42E020-0000	FEED REGULATOR	1
21	42E021-0000	SET SCREW 5.95	2
22	42E022-0000	FEED REGULATOR CONNECT LINK	1
23	42E023-0000	STUD SCREW 5.95	1
24	42E024-0000	FEED REGULATOR LEVER SHAFT	1
25	42E025-0000	STOP RING E8	1
26	42E026-0000	PLAIN WASHER 10	1
27	42E027-0000	STOPPER WASHER	1
28	42E007-0000	SCREW 3.57*8	3
29	42E029-0000	REVERSE LEVER	1
30	42E021-0000	SET SCREW 5.95	1
31	42E031-0000	SPRING	1
32	42E032-0000	REVERSE LEVER STOPPER	1
33	42L011-0000	SCREW 4.76*12	1
34	42E034-0000	PLAIN WASHER 4.76	1
35	42E035-0000	FEED REGULATOR SPRING	1
36	42E036-0000	SPRING HOOK	1
37	42E003-0000	SCREW 4.76*6	2
38	42E038-0000	FEED REGULATOR ECCENTRIC WHEEL	1
39	42D010-0100	SET SCREW 4.76	1
THREAD TRIMMER			
22	42TE022-0000	FEED REGULATOR CONNECT LINK	1
24	42TE024-0000	FEED REGULATOR LEVER SHAFT	1
29	42TE029-0000	REVERSE LEVER	1

CE. Needle bar flip-up mechanism



F. Feed shaft mechanism



CE Needle bar flip-up mechanism (For GF-210)

REF.NO	CODE	NAME OF PARTS	QTY
1	45CE001-0000	INDICATION PLATE ASSEMBLY	1
2	42L011-0000	SCREW 4.76*12	2
3	45CE003-0000	PUSH LEVER	1
4	45CE004-0000	STUD SCREW 4.37	2
5	45CE005-0000	PUSH LEVER PLATE	1
6	42B027-0000	SCREW 3.57*5	2
7	45CE007-0000	SPRING	1
8	45CE008-0000	STOP LEVER SHAFT ASSEMBLY	1
8-1	45CE008-0100	SPRING PIN AW3	1
9	45CE009-0000	STUD (L)	1
10	45CE010-0000	STUD (S)	1
11	45CE011-0000	FLIP-UP HOLDER PLATE ASSEMBLY	1
12	42L011-0000	SCREW 4.76*12	2
13	45CE013-0000	BALL GUIDE BUSH	1
14	45CE014-0000	SPRING	1
15	45CE015-0000	STEEL BALL 1/4"	1
16	45CE016-0000	LEVER SHAFT ARM	1
17	45CE017-0000	SCREW 4.76*14	1
18	45CE018-0000	STUD SCREW 4.37	1
19	45CE007-0000	SPRING	2
20	45CE020-0000	SLIDE SHAFT BRACKET	1
21	42A008-0000	SCREW 4.37*8	2
22	45CE022-0100	SLIDE SHAFT	1
23	45CE023-0000	SLIDE SHAFT SUPPORT PLATE	1
24	45CE024-0000	PLATE SPRING	2
25	45CE025-0000	SET COLLAR	3
26	45CE026-0000	SET SCREW 3.57	5
27	45CE027-0000	GUIDE SCREW	1

F. Feed shaft mechanism

REF.NO	CODE	NAME OF PARTS	QTY
1	42F001-0000	FEED SHAFT BUSH (L)	1
2	42F002-0000	FEED SHAFT BUSH (R)	1
4	42F004-0000	FEED ROCK SHAFT	1
5	42F005-0000	SET COLLAR	2
6	42B011-0000	SET SCREW 6.35	4
7	42F007-0000	FEED BAR	1
8	42F008-0000	FEED BAR SHAFT	1
9	42F009-0000	THRUST RING	2
10	42A017-0000	SET SCREW 4.37	1
11	42F011-0000	FEED BAR FORK	1
12	42F012-0000	SCREW 5.95*14	1
13	42F013-0000	PLAIN WASHER	1
14	42F014-0000	SCREW 3.18*12	1
15	42F015-0000	NUT 3.18	1
16	42F016-0000	FEED ROCK BASE ARM	1
17	42F017-0000	SCREW, PAN SM4.37-40*12	2
7	42TF007-0000	FEED BAR	1

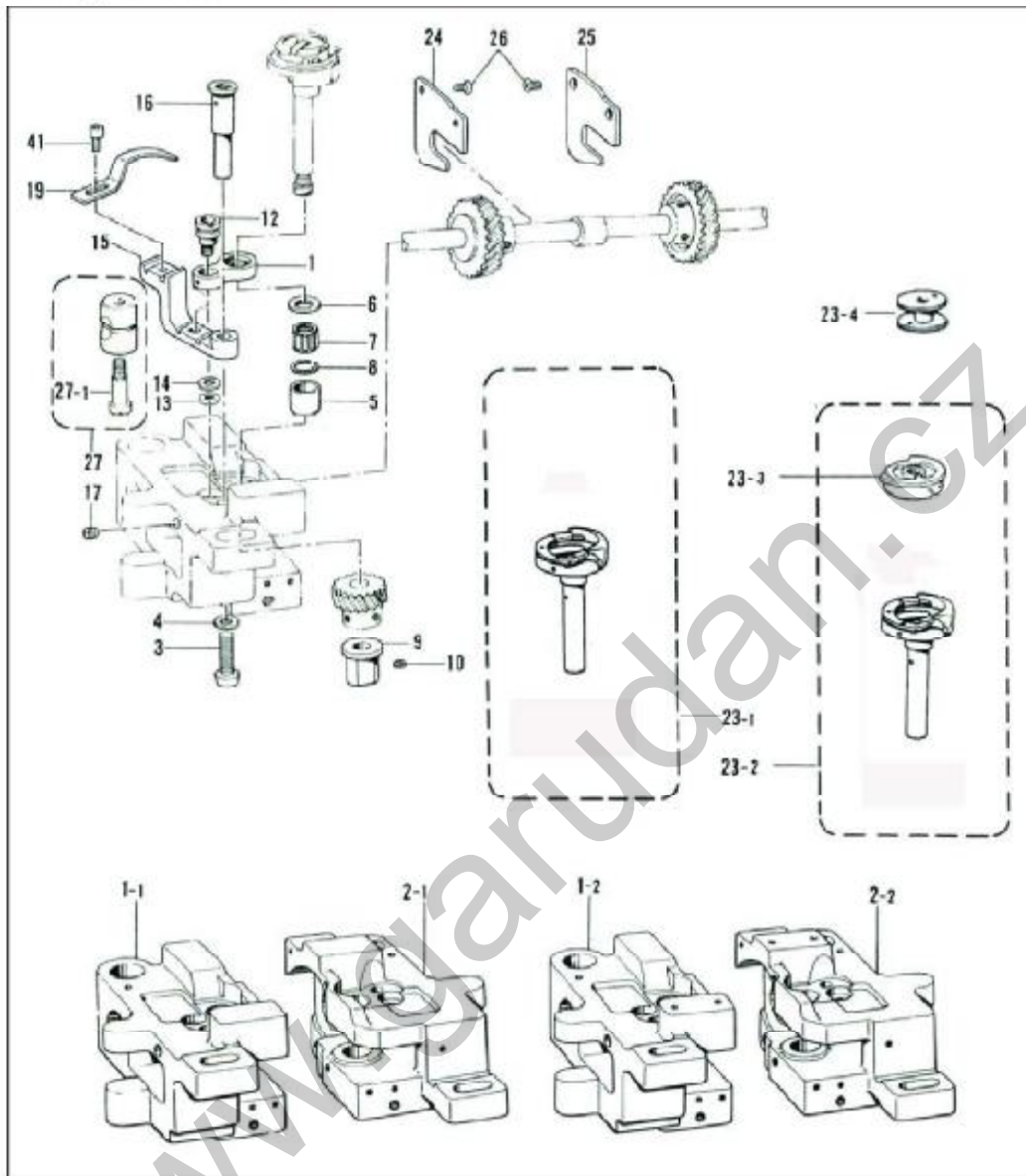
TH.Quick reverse mechanism(Thread trimmer)

REF.NO	CODE	NAME OF PARTS	QTY
1	42TH001-0000	REVERSE SOLENOID BRACKET	1
2	42TH002-0000	SCREW 6.35*14	2
3	42TH003-0000	REVERSE SOLENOID ASSEMBLY	1
3-1	42TH003-0100	STOP RING E15	1
3-2	42TH003-0200	RUBBER STOPPER	1
3-3	42TH003-0300	TERMINAL PIN(MALE)	2
4	42TH004-0000	SCREW 5*8	3
5	42TH005-0000	CONNECTING PIN	1
6	42TH006-0000	STOP RING E4	1
8	42TH008-0000	REVERSE SOLENOID COVER	1
9	42TH004-0000	SCREW 5*8	1
10	42TH010-0000	REVERSE SOLENOID RUBBER	1
12	42TH012-0000	REVERSE SOLENOID LEVER ASSMBLY	1
13	42TH013-0000	SOLENOID LEVER STUD	1
14	42TH014-0000	SCREW 6.35*18	1
15	42K004-0000	WASHER	1
16	42TH016-0000	NYLON TUBE	1
17	42TH017-0000	SCREW 4.75	1

J. Lower shaft mechanism

REF.NO	CODE	NAME OF PARTS	QTY
1	42J001-0000	ROTARY HOOK BASE BUSH (L)	1
2	42J002-0100	ROTARY HOOK BASE BUSH (R)	1
4	42J004-0100	LOWER SHAFT	1
5	42J005-0000	SPIRAL GEAR ASSEMBLY (A)	2
5-1	42J005-0100	SET SCREW 6.35	2
5-2	42J005-0200	SET SCREW 6.35	4
5-3	42J005-0300	SET SCREW 6.35	6
9	42J009-0000	VERTICAL FEED ECCENTRIC WHEEL	1
9-1	42J005-0100	SET SCREW 6.35	1
10-1	42J010-0100	BALL BEARING BUSH	1
10-2	42J010-0200	BALL BEARING 6004ZZNR	1
10-3	42J010-0300	SET SCREW 6.35	1
10-4	42B012-0000	SET SCREW 6.35	1
11	42J011-0000	TIMING PULLEY (D) ADDEMBLY	1
11-1	42B018-0000	BALL BEARING 6204ZZNR	1
11-2	42J010-0300	SET SCREW 6.35	1
11-3	42B015-0000	SET SCREW 6.35	1
13	42J013-0100	PLUNGER	1
14	42J014-0100	PLUNGER SPRING	1
15	42J015-0100	SCREW, SM6.35*5	1
THREAD TRIMMER			
4	42J004-0100	LOWER SHAFT	1
11	42J011-0000	TIMING PULLEY (D) ADDEMBLY	1

K. Rotary hook mechanism

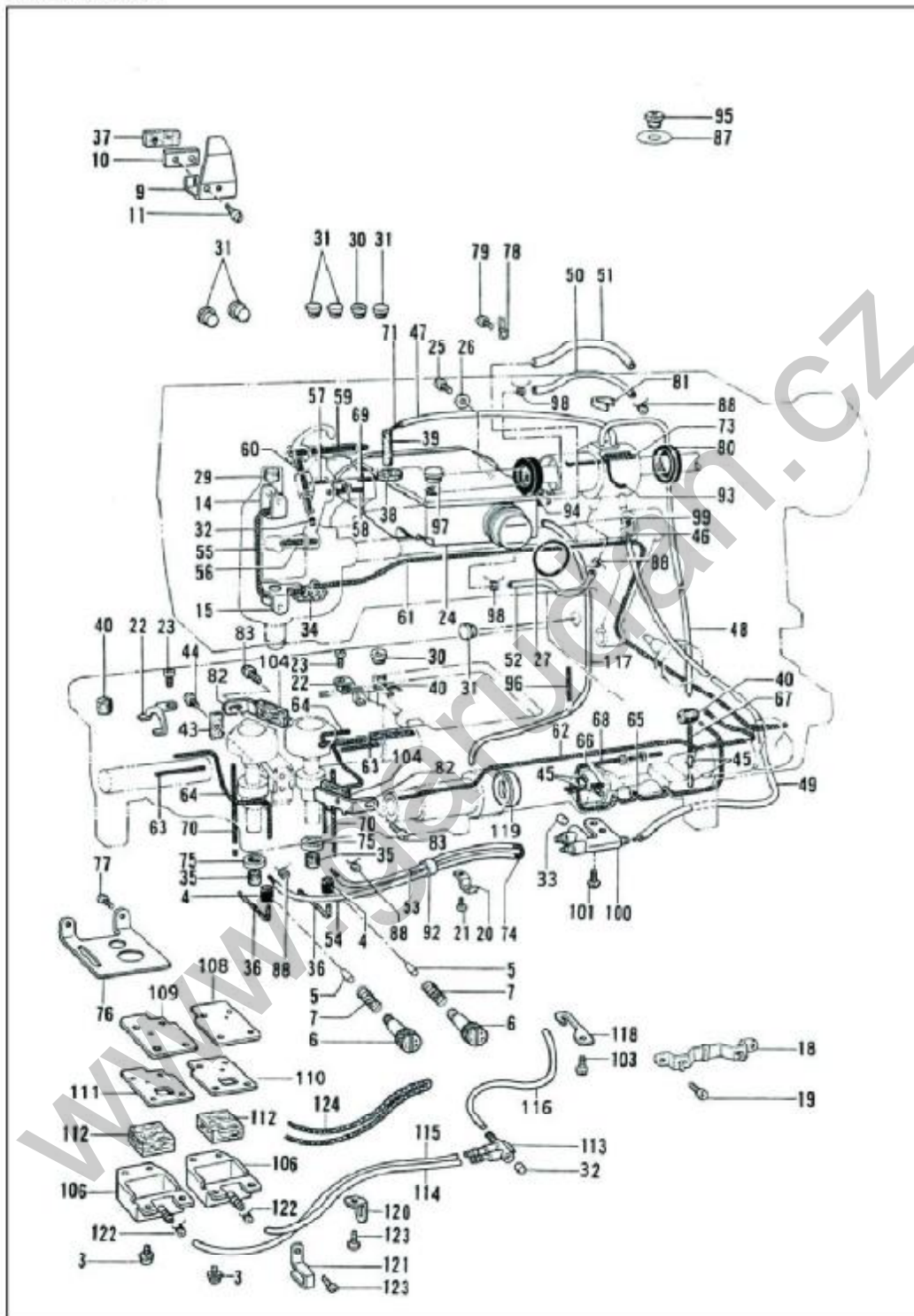


23-1	KRT 12-5M	HOOK FOR GF-207-143
	KRT 12-5LM	HOOK FOR GF-207-443
	HSH-12-15MM(3)TR	HOOK FOR GF-207-446
	HSH-12-15L(TR1)	HOOK FOR GF-207-146
23-2	SKRT12-5MK	HOOK FOR GF-210-143
	HSH-12-15LTR1	HOOK FOR GF-210-146(7)ACS
	SKRT12-5LMK	HOOK FOR GF-210-443
	HSH-12MC(3)	HOOK FOR GF-210-446(7)ACS
23-3	SCP-MK3	BOBBIN CASE FOR GF-210-143
	CP-12CTR1	BOBBIN CASE FOR GF-210-146(7)ACS
	SCP-LMK	BOBBIN CASE FOR GF-210-443
	CP-G12MC(1)TR	BOBBIN CASE FOR GF-210-446(7)ACS
23-4	42Z011-0000 SMALL	BOBBIN FOR GF-2XX-1XX
	42Z011-0000 BIG	BOBBIN FOR GF-2XX-4XX

K.Rotary hook mechanism

REF.NO	CODE	NAME OF PARTS	QTY
3	42K003-0000	SCREW 6.35*25	2
4	42K004-0000	WASHER	2
For GF-207-14x, GF-210-14x			
5	42K005-0000	ROTARY HOOK SHAFT BUSH (U)	2
15	42K015-0100	OPENER LEVER	2
19	42K019-0100	OPENER	1
For GF-207-44x, GF-210-44x			
5	72K005-0000	ROTARY HOOK SHAFT BUSH (U)	2
15	72K015-0100	OPENER LEVER	2
19	72K019-0100	OPENER	1
7	42K007-0000	NEEDLE BEARING	2
8	42K008-0000	STOP RING	2
9	42K009-0000	ROTARY HOOK SHAFT BUSH (D)	2
10	42D010-0100	SET SCREW 4.76	2
11	42K011-0000	OPENER LINK	2
12	42K012-0000	OPENER LINK SHAFT	2
13	42K013-0000	NUT 4.76	2
14	42L026-0000	PLAIN WASHER 4.76	2
16	42K016-0000	OPENER LEVER SHAFT	2
17	42D010-0100	SET SCREW 4.76	2
23-1	★	ROTARY HOOK ASSEMBLY	2
23-2	★	ROTARY HOOK ASSEMBLY	2
24	42K024-0000	GEAR GUIDE	1
25	42K024-0000	GEAR GUIDE	1
26	42E007-0000	SCREW 3.57*8	4
27	42K027-0000	PING SLEEVE ASSEMBLY	2
27-1	42K027-0100	SCREW 5.95	2
41	42K041-0000	SCREW 3.57*8	2
For GF-207-143, GF-210-143			
1-1	42K001-0100	ROTARY HOOK BASE (L)	1
2-1	42K002-0100	ROTARY HOOK BASE (R)	1
6	42K006-0000	THRUST RING (A) 1.5MM	2
For GF-207-443, GF-210-443			
1-2	72K001-0200	ROTARY HOOK BASE (L)	1
2-2	72K002-0200	ROTARY HOOK BASE (R)	1
6	72K006-0000	THRUST RING (A) 1.2MM	2
For GF-207-146(7)/ACS, GF-210-146(7)/ACS			
1-1	42TK001-0100	ROTARY HOOK BASE (L)	1
2-1	42TK002-0100	ROTARY HOOK BASE (R)	1
6	42TK006-0000	THRUST RING (A) 1.7MM	2
For GF-207-446(7)/ACS, GF-210-446(7)/ACS			
1-2	72TK001-0200	ROTARY HOOK BASE (L)	1
2-2	72TK002-0200	ROTARY HOOK BASE (R)	1
6	72TK006-0000	THRUST RING (A) 1.4MM	2

©Refer to page 14 for items marked with an asterisk (★)

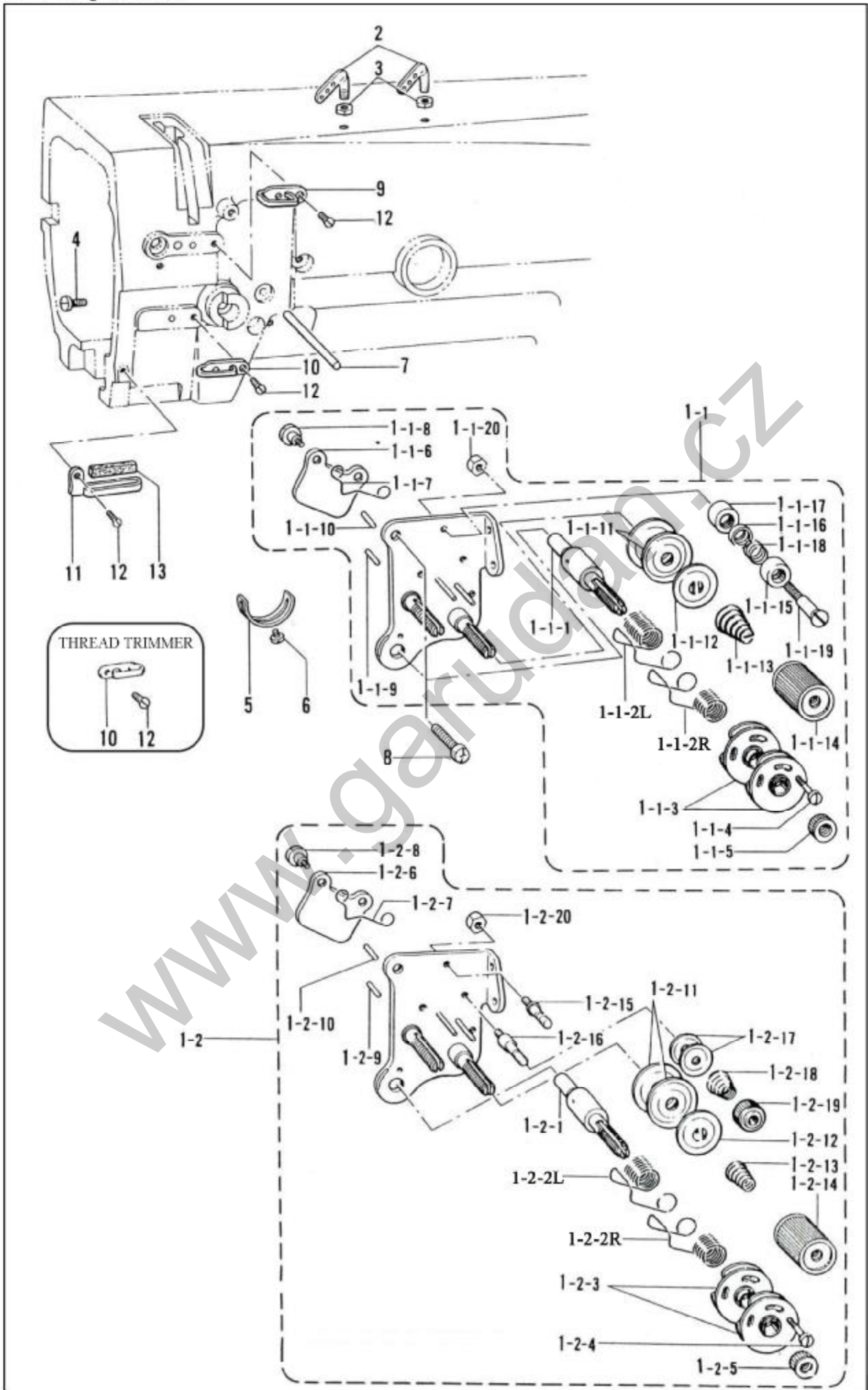


L&CL.Lubrication

REF.NO	CODE	NAME OF PARTS	QTY
3	42L003-0000	SCREW 3.57*8	8
4	42L004-0000	RUBBER RING	2
5	42L005-0000	RUBBER PRESSER	2
6	42L006-0100	OIL ADJUSTING SCREW	2
7	42L007-0100	SET SPRING	2
9	42L009-0000	OIL STOPPER PLATE	1
10	42L010-0000	OIL STOPPER PLATE PRESSER	1
11	42L011-0000	SCREW 4.76*12	1
18	42L018-0000	WICK HOLDER	1
19	42L019-0000	SCREW 3.18*4	2
20	42L020-0000	CORD HOLDER (L)	1
21	42E007-0000	SCREW 3.57*8	1
22	42L022-0000	WICK HOLDER	2
23	42E007-0000	SCREW 3.57*8	2
24	42L024-0000	OIL TANK ASSEMBLY	1
25	42L011-0000	SCREW 4.76*12	2
26	42L026-0000	PLAIN WASHER 4.76	2
27	42L027-0000	O RING P30	1
30	42L030-0000	OIL CAP	2
31	42L031-0000	OIL CAP	6
32	42L032-0000	OIL CAP	2
34	42L034-0000	FELT	1
35	42L035-0000	CLUTCH FELT	2
36	42L036-0000	FELT	2
37	42L037-0000	FELT	1
38	42L038-0000	UPPER SHAFT BUSH (L) FELT	1
39	42L039-0000	FELT	1
40	42L040-0000	FELT	3
41	42L041-0000	ROTARY HOOK BASE BUSH (R) FELT	2
42	42L042-0000	FELT	1
43	42L043-0000	FELT	1
44	42B027-0000	SCREW 3.57*5	1
45	42L045-0000	FELT	4
46	42L046-0000	WIRE	1
47	42L047-0000	OIL TUBE	1
48	42L048-0000	OIL TUBE	1
49	42L049-0000	OIL TUBE	1
50	42L050-0000	OIL TUBE	1
51	42L051-0000	OIL TUBE	1
52	42L052-0000	OIL TUBE	1
53	42L053-0000	OIL TUBE	1
54	42L054-0000	OIL TUBE	1
55	42L055-0000	WICK (20CM)	1
56	42L056-0000	WICK (5CM)	1
57	42L057-0000	WICK (3CM)	1
58	42L058-0000	WICK (4.5CM)	1
59	42L059-0000	WICK (13CM)	1
60	42L060-0000	WICK 4*4(4CM)	1
61	42L061-0000	WICK (44CM)	1
62	42L062-0000	WICK 4*4(35CM)	1
63	42L063-0000	WICK (3.2CM)	2
64	42L064-0000	WICK (25CM)	2
65	42L065-0000	WICK 4*4(25CM)	1
66	42L066-0000	WICK 4*4(4CM)	1
67	42L067-0000	WICK (3.5CM)	1
68	42L068-0000	WICK (11CM)	1
69	42L069-0000	WICK (2.5CM)	1
70	42L070-0000	WICK (7CM)	2

L&CL Lubrication

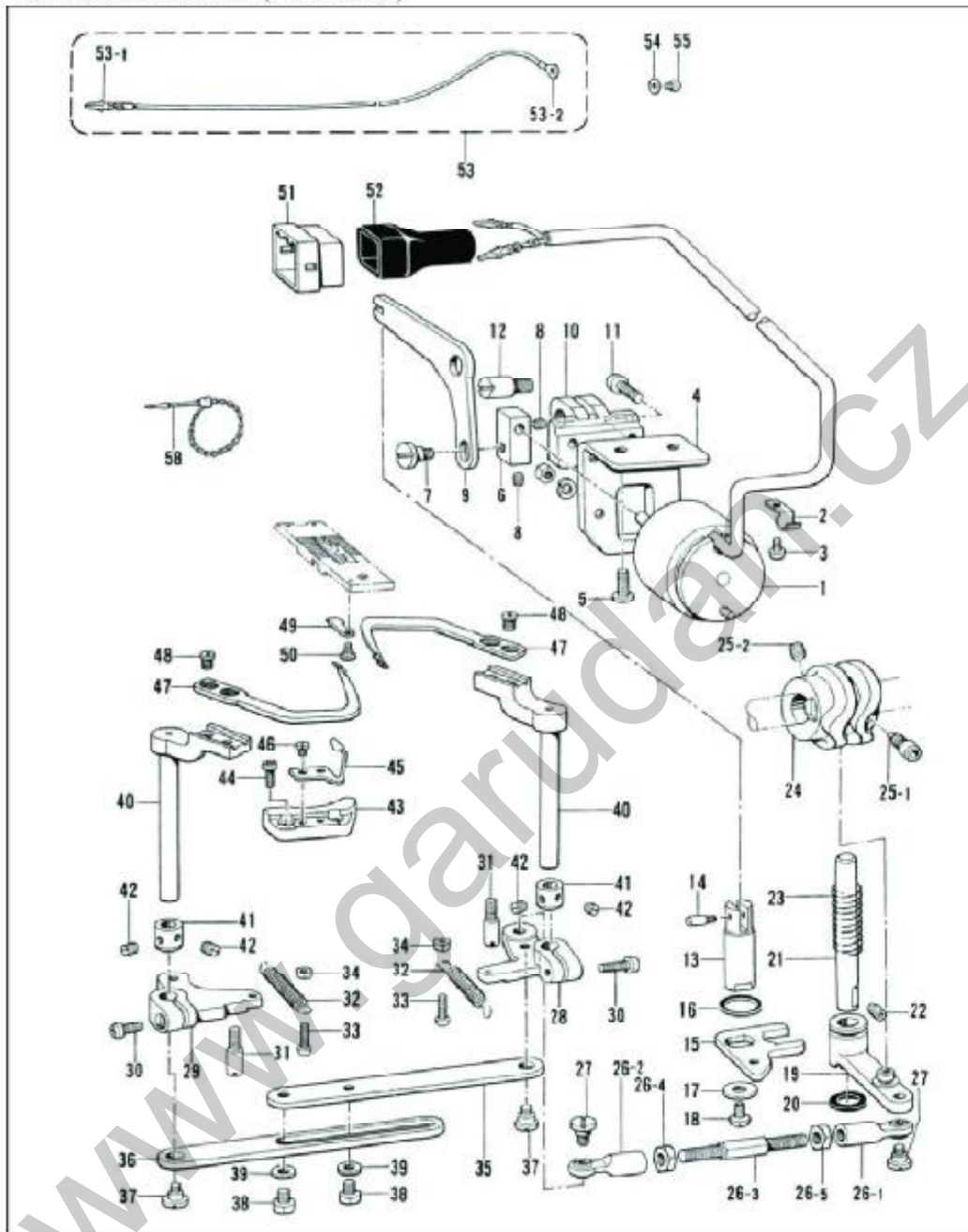
REF.NO	CODE	NAME OF PARTS	QTY
71	42L071-0000	WICK 4*4(30CM)	1
72	42L072-0000	WICK 4*4(35CM)	1
73	42L073-0000	WICK 4*4(4CM)	1
74	42L074-0000	WICK (53CM)	1
75	42L075-0000	SPACER	2
76	42L076-0000	DUST PROTECTOR	1
77	42B027-0000	SCREW 3.57*8	2
78	42L078-0000	TUBE HOLDER	1
79	42A008-0000	SCREW 4.37*8	1
80	42L080-0000	OIL SEAL	1
81	42L081-0000	TUBE CALKING	1
82	42L082-0100	WICK HOLDER	2
83	42E007-0000	SCREW 3.57*8	2
87	42L087-0000	OIL SEAT	1
88	42L088-0000	TUBE CLAMP	7
92	42L092-0000	OIL TUBE	1
93	42L093-0000	WICK (7CM)	1
94	42L094-0000	OIL SEAL	1
95	42L095-0000	OIL CAP	1
96	42L096-0000	WICK (3.5CM)	1
97	42L031-0000	OIL CAP	1
98	42L098-0000	TUBE CLAMP	2
99	42L099-0000	TUBE CLAMP	1
100	42L100-0000	TERMINAL	1
101	42L101-0000	SCREW 3.57*6	2
103	42E007-0000	SCREW 3.57*8	1
104	42L104-0000	FELT	2
106	42L106-0000	SUB-TANK	2
108	42L108-0000	OIL SEAL R,SUB-TANK	1
109	42L109-0000	OIL SEAL L,SUB-TANK	1
110	42L110-0000	SUB-TANK COVER R	1
111	42L111-0000	SUB-TANK COVER L	1
112	42L112-0000	FELT,SUB-TANK	2
113	42L113-0000	TERMINALL	1
114	42L114-0000	OIL TUBE,SUB-TANK R	1
115	42L115-0000	OIL TUBE,SUB-TANK L	1
116	42L116-0000	OIL TUBE,PLUNGER PUMP	1
117	42L117-0000	OIL TUBE,OIL TANK	1
118	42L118-0000	TUBE SUPPORT BRACKET	1
120	42L120-0000	TUBE SUPPRT BRACKET L	1
121	42L121-0000	OIL TUBE SUPPORT	1
122	42L122-0000	TUBE CLAMP	2
123	42A008-0000	SCREW,PAN SM4.76-32*6	2
124	42L124-0000	WICK(37CM)	1
(For GF-207)			
14	42L014-0000	FELT HOLDER(U)	1
15	42L015-0000	FELT HOLDER(D)	1
(For GI-210)			
14	45CL014-0000	WICK SUPPORTER	1
15	42B027-0000	SCREW 3.57*5	1
84	45CI084-0000	WICK COVER	1
85	45CD001-1600	SCREW 3.18*5	2



M.Threading mechanism

REF.NO	CODE	NAME OF PARTS	QTY
2	42M002-0000	TTHREAD RETAINER	2
3	42M003-0000	NUT 5.95	2
4	42M004-0000	SCREW 3.57	1
5	42M005-0000	STOPPER	1
6	42M006-0100	SCREW 3.57*5	1
7	42M007-0000	TENSION RELEASE BAR	1
8	42A008-0000	SCREW 4.37*8	1
9	42M009-0000	ARM THREAD GUIDE (U)	1
11	42M011-0100	ARM THREAD GUIDE (D)	1
12	42M012-0000	SCREW 3.57	3
13	42M013-0000	FELT	1
1-1-1	42M001-0101	TENSION STUD	1
1-1-2-R	42M001-0102R	THREAD TAKE-UP SPRING-R	1
1-1-2-L	42M001-0102L	THREAD TAKE-UP SPRING-L	1
1-1-3	42M001-0103	SPRING GUIDE ASSEMBLY	2
1-1-4	42M001-0104	SCREW 2.38	1
1-1-5	42M001-0105	TENSION NUT	1
1-1-6	42M001-0106	TENSION RELEASE PLATE	1
1-1-7	42M001-0107	TENSION RELEASE SPRING	1
1-1-8	42M001-0108	STUD SCREW 3.57	2
1-1-9	42M001-0109	TENSION RELEASE PIN (R)	1
1-1-10	42M001-0110	TENSION RELEASE PIN (L)	1
1-1-11	42M001-0111	TENSION DISC	4
1-1-12	42M001-0112	TENSION DISC PRESSER	2
1-1-13	42M001-0113	TENSION SPRING	2
1-1-13	42M001-0113	TENSION SPRING	2
1-1-14	42M001-0114	TENSION NUT	2
1-1-20	42D023-0000	NUT 3.57	2
STANDARD			
1-1	42M001-0100	NEEDLE THREAD TENSION ASSEMBLY	1
1-1-15	42M001-0115	THREAD GUIDE CAP	2
1-1-16	42M001-0116	THREAD GUIDE DISC	2
1-1-17	42M001-0117	THREAD GUIDE BRACKET	2
1-1-18	42M001-0118	THREAD GUIDE SPRING	2
1-1-19	42M001-0119	THREAD GUIDE STUD SCREW	2
10	42M010-0000	ARM THREAD GUIDE (M)	1
THREAD TRIMMER			
1-2	42TM001-0200	NEEDLE THREAD TENSION ASSEMBLY	1
1-2-15	42TM001-0215	THREAD GUIDE SHAFT (L)	1
1-2-16	42TM001-0216	THREAD GUIDE SHAFT (R)	1
1-2-17	42TM001-0217	THREAD GUIDE DISC	4
1-2-18	42TM001-0218	PRE-TENSION SPRING (A)	2
1-2-19	42TM001-0219	TENSION NUT	2
10	42TM010-0000	ARM THREAD GUIDE (M)	2

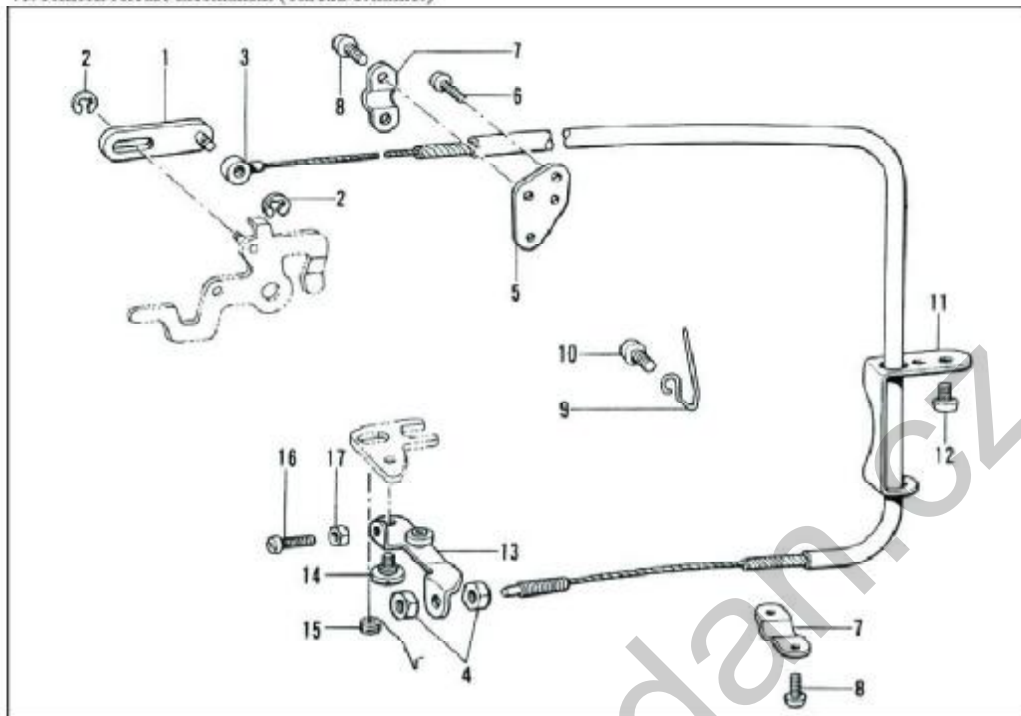
TN. Thread trimmer mechanism(Thread trimmer)



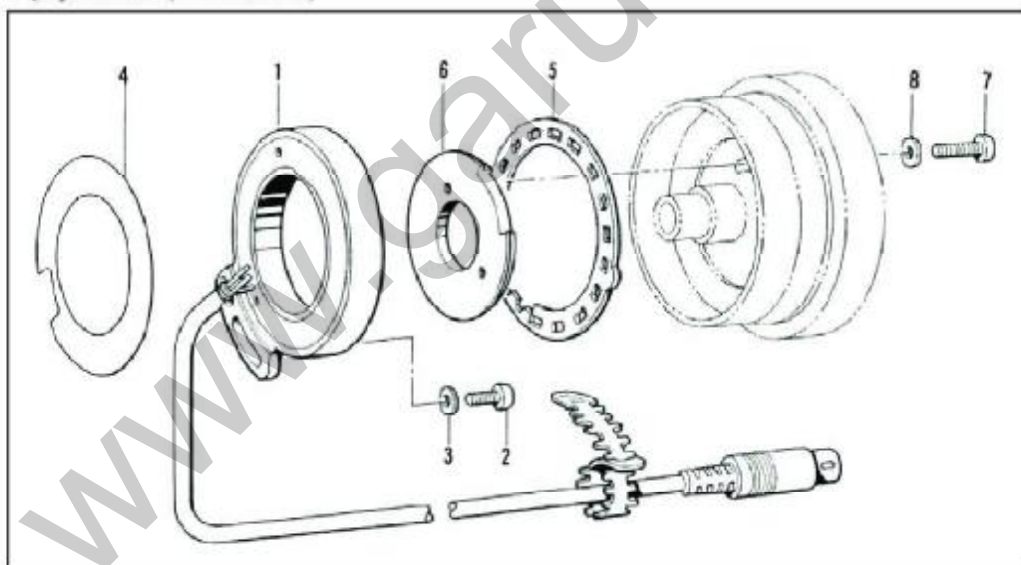
TN.Thread trimmer mechanism(Thread trimmer)

REF.NO	CODE	NAME OF PARTS	QTY
1	42TN001-0000	THREAD TRIMMER SOLENOID	1
2	45CL014-0000	CORD HOLDER	1
3	42E007-0000	SCREW 3.57*8	1
4	42TN004-0000	THREAD TRIMMING SOLENOID BRACKET	1
5	42TN005-0000	SCREW 6.35	2
6	42TN006-0000	THREAD TRIMMING SOLENOID JOINT	1
7	42TN007-0000	PIN	1
8	42A017-0000	SET SCREW 4.37	2
9	42TN009-0000	THREAD TRIMMING SOLENOID LEVER	1
10	42TN010-0000	THREAD TRIMMING SOLENOID LEVER BRACKET	1
11	42L011-000	SCREW 4.76*12	2
12	42TN012-0000	THREAD TRIMMING SOLENOID LEVER STUD	1
13	42TN013-0000	THREAD TRIMMING DRIVING ROD	1
14	42TN014-0000	PLUNGER PIN	1
15	42TN015-0000	THREAD TRIMMING DRIVING ROD PLATE	1
16	42TN016-0000	RUBBER CUSHION	1
17	42TN017-0000	WASHER	1
18	42TN018-0000	STUD SCREW 4.76	1
19	42TN019-0000	KNIFE MAIN LEVER ASSEMBLY	1
20	42TN020-0000	RUBBER	1
21	42TN021-0000	KNIFE MAIN LEVER SHAFT	1
22	42TN022-0000	SET SCREW 6.35	1
23	42TN023-0000	KNIFE MAIN LEVER SPRING	1
24	42TN024-0000	THREAD TRIMMING CAM	1
25-1	42TN025-0100	SET SCREW 6.35	1
25-2	42H015-0000	SET SCREW 6.35	1
26	42TN026-0000	LENGTH ADJUSTING ROD ASSEMBLY	1
26-1	42TN026-0100	ROUND JOINT (R) ASSEMBLY	1
26-2	42TN026-0200	ROUND JOINT (L) ASSEMBLY	1
26-3	42TN026-0300	LENGTH ADJUSTING ROD	1
26-4	42TN026-0400	NUT 5.95	1
26-5	42TN026-0500	NUT 5.95	1
27	42TN027-0000	STUD SCREW	2
28	42TN028-0000	THREAD TRIMMING LEVER (R)	1
29	42TN029-0000	THREAD TRIMMING LEVER (L)	1
30	42TN030-0000	SCREW 4.37*12	2
31	42TN031-0000	STOPPER SCREW 4.76	2
32	42TN032-0000	THREAD TRIMMER LEVER SPRING	2
33	42D022-0000	SCREW 3.57*14	2
34	42D023-0000	NUT 3.57	2
35	42TN035-0000	THREAD TRIMMING CONNECTING ROD(R)	1
36	42TN036-0000	THREAD TRIMMING CONNECTING ROD(L)	1
37	42TN007-0000	STUD SCREW 4.37	2
38	42TN038-0000	BOLT 4.76*7	2
39	42L026-0000	PLAIN WASHER 4.76	2
40	42TN040-0000	MOVABLE KNIFE LEVER	2
41	42TN041-0000	SET COLLAR	2
42	42J005-0200	SET SCREW 6.35	4
43	42TN043-0000	MOVABLE KNIFE BRACKET	2
44	42TN044-0000	SCREW 3.57*8	4
45	42TN045-0000	BOBBIN THREAD HOLDING SPRING	2
46	42TN046-0000	SCREW 3.18	4
47	42TN047-0000	MOVABLE KNIFE	2
48	42TN048-0000	SCREW 4.37	4
49	42TN049-0000	FIXED KNIFE	2
50	42TN050-0000	STUD SCREW 2.38	2
51	42TN051-0000	NYLON CONNECTOR	1
52	42TN052-0000	CONNETOR CAP	1
53	42TN053-0000	GROUND WIRE ASSY	1
53-1	42TN053-0100	TERMINAL PIN (I)(MALE)	1
53-2	42TN053-0200	TERMINAL, 4.5*14	1
54	42TN054-0000	WASHER	1
55	42TN055-0000	SCREW	1
58	42TN058-0000	BEAD BAND	2

TP. Tension release mechanism (Thread Trimmer)



TQ. Synchronizer (Thread trimmer)



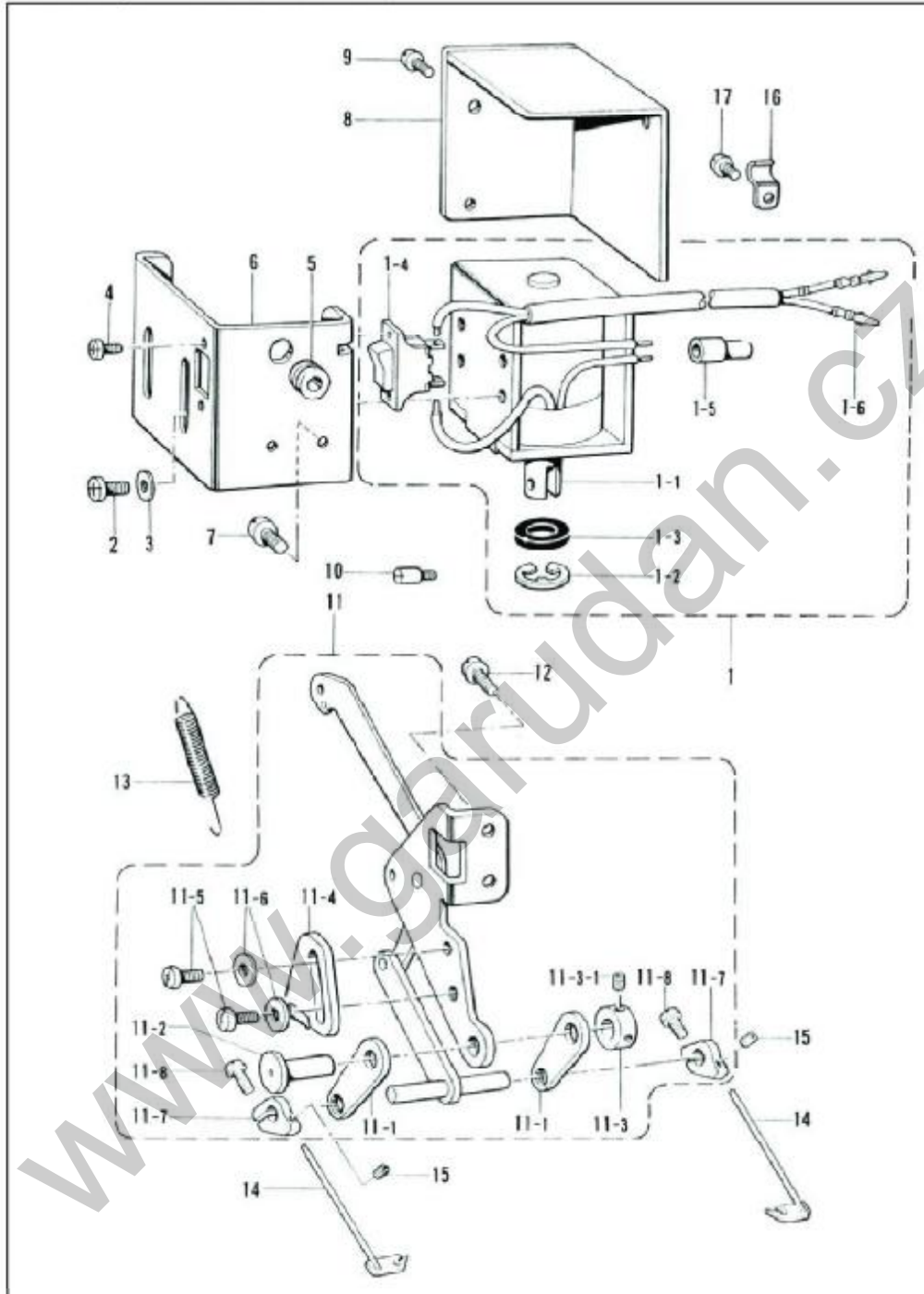
TP.Tension release mechanism (Thread Trimmer)

REF.NO	CODE	NAME OF PARTS	QTY
1	42TP001-0000	TENSION RELEASE CONNECTOR ASSEMBLY	1
2	42TP002-0000	STOP RING E3	2
3	42TP003-0000	TENSION RELEASE WIRE	1
4	42K013-0000	NUT 4.76	2
5	42TP005-0000	WIRE HOLDER BASE	1
6	42E007-0000	SCREW 3.57*8	2
7	42TP007-0000	TENSION RELEASE WIRE PRESSER (D)	2
8	42E007-0000	SCREW 3.57*8	4
9	42TP009-0000	WIRE HOLDER	1
10	42A008-0000	SCREW 4.37*8	1
11	42TP011-0000	WIRE GUIDE	1
12	42E003-0000	SCREW 4.76*6	2
13	42TP013-0000	TENSION RELEASE LEVER ASSEMBLY	1
14	42TP014-0000	STUD SCREW 6.35	1
15	42TP015-0000	TENSION RELEASE LEVER SPRING	1
16	42F014-0000	SCREW 3.18*12	1
17	42F015-0000	NUT 3.18	1

TQ.Synchronizer (Thread trimmer)

REF.NO	CODE	NAME OF PARTS	QTY
Built-in Synchronizer			
1	42TQ001-0000	SYNCHORNIZER ASSMBLY	1
2	42L011-0000	SCREW 4.76*12	1
3	42E034-0000	WASHER	1
4	42TQ004-0000	INSUATION SEAT	1
5	42TQ005-0000	SPEED COMMAND PLATE	1
6	42TQ006-0000	NEEDLE UPPER PLATE	1
7	42TQ007-0000	SCREW 4.37*16	2
8	42L026-0000	WASHER	2

TR. Thread wiper mechanism (Thread Trimmer)

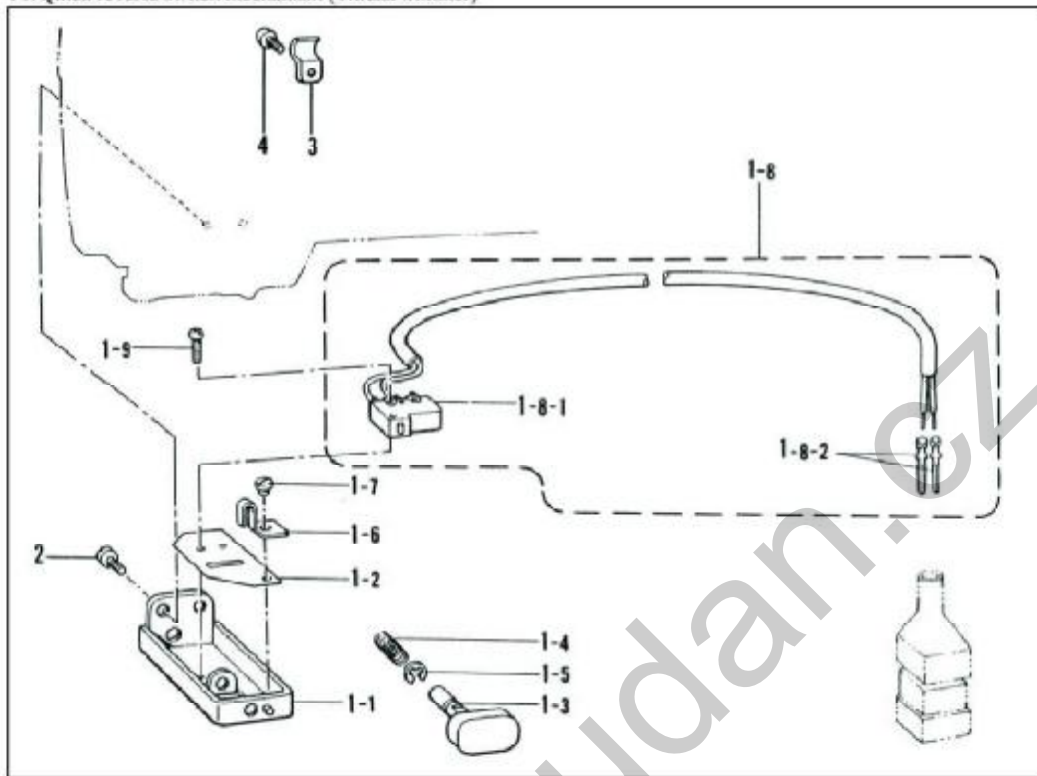


TR Thread wiper mechanism (Thread Trimmer)

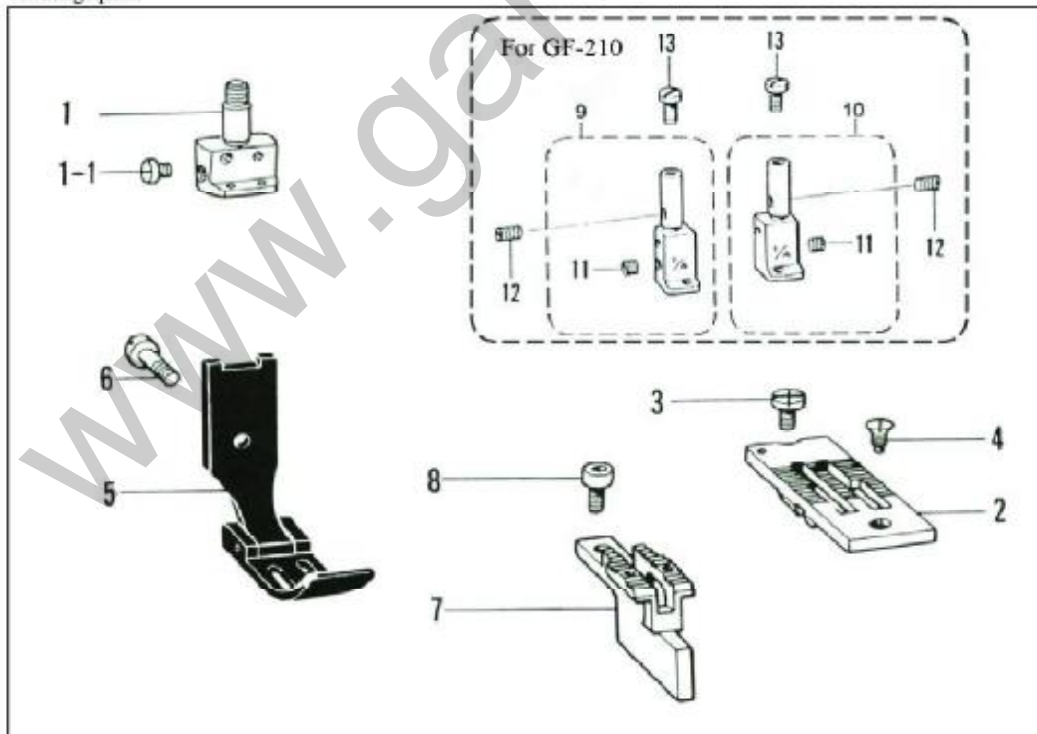
REF.NO	CODE	NAME OF PARTS	QTY
1	42TR001-0000	THREAD WIPER SOLENOID ASSEMBLY	1
1-1	42TR001-0100	PLUNGER	1
1-2	42TR001-0200	STOP RING E9	1
1-3	42TR001-0300	PLUNGER RUBBER	1
1-4	42TR001-0400	THREAD WIPER SWITCH	1
1-5	42TR001-0500	CONNECTOR	1
1-6	42TR001-0600	TERMINAL PIN (MALE)	2
2	42TR002-0000	SCREW M4X10	4
3	42TR003-0000	PLAIN WASHER 4	4
4	42TR004-0000	SCREW 3*6	2
5	42TR005-0000	CORD BUSH	1
6	42TR006-0000	THREAD WIPER SOLENOID BRACKET	1
7	42A008-0000	SCREW 4.37*8	2
8	42TR008-0000	THREAD WIPER SOLENOID COVER	1
9	42A008-0000	SCREW 4.37*8	3
10	42TN014-0000	PLUNGER PIN	1
11	42TR011-0000	THREAD WIPER SOLENOID ASSEMBLY	1
11-1	42TR011-0100	THREAD WIPER LINK (C)	2
11-2	42TR011-0200	THREAD WIPER LINK STUD	1
11-3	42TR011-0300	SET COLLAR	1
11-3-1	42TR011-0301	SET SCREW 4.37	2
11-4	42TR011-0400	STOPPER	1
11-5	42L011-0000	SCREW 4.76*12	2
11-6	42L026-0000	PLAIN WASHER 4.76	2
11-7	42TR011-0700	THREAD WIPER SUPPORTER	2
11-8	42TR011-0800	SCREW 3.18*12	2
11-9	42K013-0000	NUT 4.76	2
12	42L011-0000	SCREW 4.76*12	2
13	42TR013-0000	THREAD WIPER SPRING	1
14	★42TR014-0000	THREAD WIPER	2
15	42K021-0000	SET SCREW 3.18	2
16	45CL014-0000	CORD HOLDER	1
17	42L101-0000	SCREW 3.57*6	1

©Refer to page 33 for items marked with an asterisk (★)

TT. Quick reverse switch mechanism (Thread trimmer)



X. Gauge parts



TT. Quick reverse switch mechanism (Thread trimmer)

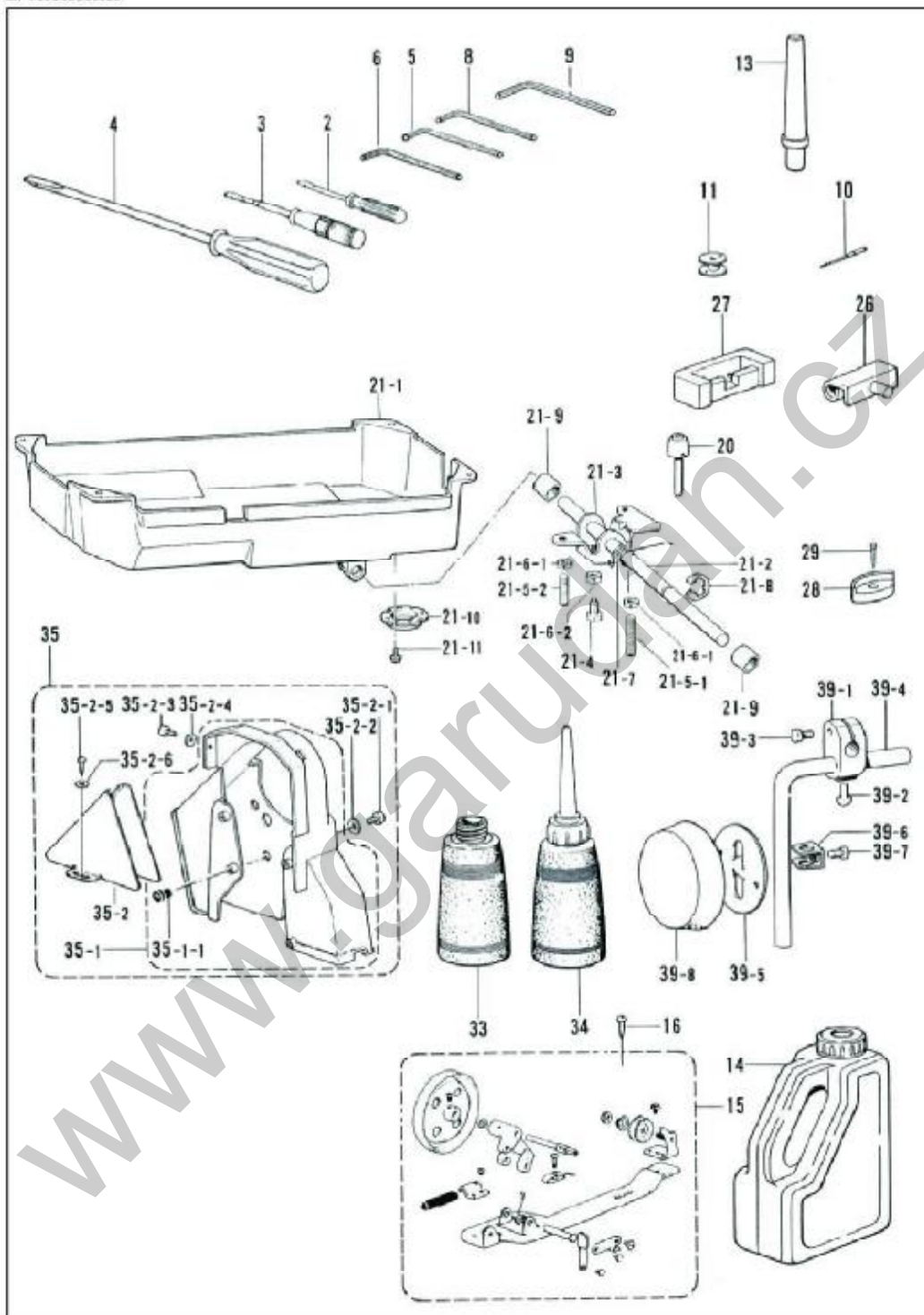
REF.NO	CODE	NAME OF PARTS	QTY
1	42TT001-0000	REVERSE ACTUATOR ASSEMBLY	1
1-1	42TT001-0100	SWITCH BASE	1
1-2	42TT001-0200	INSULATOR SHEET	1
1-3	42TT001-0300	ACTUATOR	1
1-4	42TT001-0400	ACTUATOR RETURN SPRING	1
1-5	42TP002-0000	STOP RING E3	1
1-6	42TT001-0600	STOPPER	1
1-7	42TT001-0700	SCREW 3.57	1
1-8	42TT001-0800	REVERSE SWITCH ASSEMBLY	1
1-8-1	42TT001-0801	MICRO SWITCH	1
1-8-2	42TT001-0802	TERMINAL PIN (MALE)	2
1-9	42TT001-0900	SCREW 2.38*8	2
2	42E003-0000	SCREW 4.76*6	2
3	45CL014-0000	CORD HOLDER	1
4	42E007-0000	SCREW 3.57*8	1

X. Gauge parts

REF.NO	CODE	NAME OF PARTS	QTY
2	★	NEEDLE PLATE ASSEMBLY	1
3	42X003-0000	SCREW 4.37	1
4	42X004-0000	SCREW 4.37	1
5	★	PREESES FOOT ASSEMBLY	1
6	42X006-0000	SCREW 3.57	1
7	★	FEED DOG	1
8	42X008-0000	SCREW 3.18	2
(For GF-207)			
1	★	NEEDLE CLAMP ASSEMBLY	1
1-1	42X001-0100	SCREW 3.57	2
(For GF-210)			
9	★	NEEDLE CLAMP (L) ASSEMBLY	1
10	★	NEEDLE CLAMP (R) ASSEMBLY	1
11	42CX011-0000	SCREW 3.18*14	2
12	42CX012-0000	SCREW 3.18	2
13	42CX013-0000	SCREW 3.18	2

☞ Refer to page 33~34 for items marked with an asterisk (★)

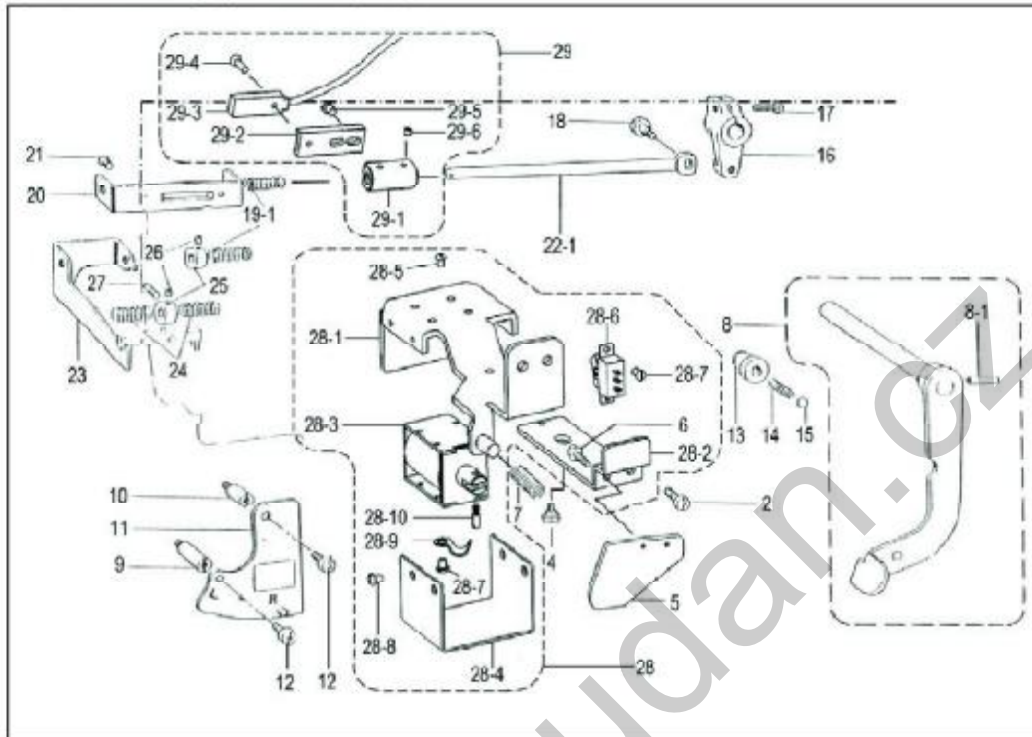
Z. Accessories



Z. Accessories

REF.NO	CODE	NAME OF PARTS	QTY
2	42Z002-0000	SCREW DRIVER 1.9*52	1
3	42Z003-0000	SCREW DRIVER 3.4*70	1
4	42Z004-0000	SCREW DRIVER 4.7*250	1
5	42Z005-0000	HEXAGONAL WRENCH 2.0	1
6	42Z006-0000	HEXAGONAL WRENCH 2.5	1
8	42Z008-0000	HEXAGONAL WRENCH 3.0	1
9	42Z009-0000	HEXAGONAL WRENCH 5.0	1
10		NEEDLE DP*5	5
11	42Z011-0000	BOBBIN BIG FOR 2XX-1XX, SMALL FOR 2XX-4XX	4
13	42Z013-0000	HEAD TANK	1
14	42Z014-0000	OIL REST	1
15	42Z015-0000	BOBBIN WINDER ASSEMBLY	1
16	42Z016-0000	SCREW 4.5*10	2
20	42Z020-0000	KNEE LIFTER COMPLYING BAR	1
21-1	42Z021-0100	OIL PAN	1
21-2	42Z021-0200	KNEE LIFTER SHAFT	1
21-3	42Z021-0300	KNEE LIFTER	1
21-4	42Z021-0400	BOLT 5.95	1
21-5-1	42Z021-0501	SET SCREW 5.95	1
21-5-2	42Z021-0502	SET SCREW 5.95	1
21-6-1	42Z021-0601	NUT 5.95	2
21-6-2	42Z021-0602	NUT 5.95	1
21-7	42Z021-0700	TWIST SPRING	1
21-8	42Z021-0800	STOP RING E10	1
21-9	42Z021-0900	SHAFT BUSH	2
21-10	42Z021-1000	DRAIN	1
21-11	42B027-0000	SCREW 3.57*5	2
26	42Z026-0000	HEAD HINGE	2
27	42Z027-0000	RUBBER CUSHION	2
28	42Z028-0000	HEAD CUSHION	4
29	42Z029-0000	NAIL	8
33	42Z033-0000	OILER	1
34	42Z034-0000	OILER ASSEMBLY	1
35	42Z035-0000	BELT COVER ASSEMBLY	1
35-1	42Z035-0100	BELT COVER COLLAR ASSEMBLY	1
35-1-1	42Z035-0101	RUBBER COLLAR	4
35-2	42Z035-0200	BELT COVER	1
35-2-1	42Z035-0201	SCREW 4.76*20	4
35-2-2	42E034-0000	PLAIN WASHER	4
35-2-3	42A008-0000	SCREW 4.37*8	1
35-2-4	42L026-0000	PLAIN WASHER 4.37	1
35-2-5	42Z035-0205	SCREW 5.5*20	2
35-2-6	42E034-0000	PLAIN WASHER	2
39-1	42Z039-0100	KNEE LIFTER JOINT	1
39-2	42Z039-0200	BOLT 7.9	1
39-3	42Z039-0300	BOLT 5.95*20	1
39-4	42Z039-0400	KNEE LIFTER BAR	1
39-5	42Z039-0500	KNEE LIFTER PLATE	1
39-6	42Z039-0600	KNEE LIFTER PLATE STOPPER	1
39-7	42Z039-0700	BOLT 5.95	1
39-8	42Z039-0800	KNEE LIFTER PLATE COVER	1





★ CE. Needle bar flip-up mechanism (ACS)




★CE.Needle bar flip-up mechanism (For GF-210. ...ACS)

REF.NO	CODE	NAME OF PARTS	QTY
2	42A008-0000	SCREW 4.76*10	2
4	45CE004-0000	STUD SCREW 4.37	2
5	45CF005-0000	PUSH LEVER PLATE	1
6	42B027-0000	SCREW 3.57*5	2
7	45CE007-0000	SPRING	1
8	45CE008-0000	STOP LEVER SHAFT ASSEMBLY	1
8-1	45CE008-0100	SPRING PIN AW3	1
9	45CE009-0000	STUD (L)	1
10	45CE010-0000	STUD (S)	1
11	45CE011-0000	FLIP-UP HOLDER PLATE ASSEMBLY	1
12	45CE012-0000	SCREW 4.76X10	2
13	45CE013-0000	BALL GUIDE BUSH	1
14	45CE014-0000	SPRING	1
15	45CE015-0000	STEEL BALL 1/4"	1
16	45CE016-0000	LEVER SHAFT ARM	1
17	45CE017-0000	SCREW 4.76X14	1
18	45CE018-0000	STUD SCREW4.37	1
19-1	45CE007-0000	SPRING	2
20	45CE020-0000	SLIDE SHAFT BRACKET	1
21	42A008-0000	SCREW 4.37X8	2
22-1	45CE022-0100	SLIDE SHAFT	1
23	45CE023-0000	SLIDE SHAFT SUPPORT PLATE	1
24	45CE024-0000	PLATE SPRING	2
25	45CE025-0000	SET COLLAR	3
26	45CE026-0000	SET SCREW3.57	5
27	45CE027-0000	GUIDE SCREW	1
28	SCS-993-1000	NEEDLE BAR SWITCH SENSOR ASSEMBLY	1
28-1	SCS-993-0001	SOLENOID HOLD	1
28-2	SCS-993-0002	PUSH LEVER	1
28-3	SCS-993-0003	SOLENOID ASSEMBLY	1
28-4	SCS-993-0004	COVER	1
28-5	45CD001-1600	SCREW 3.18	4
28-6	42TR001-0400	THREAD WIPER SWITCH	1
28-7	42TR004-0000	SCREW 3X6	3
28-8	42B027-0000	SCREW 3.57X5	4
28-9	42TA021-0000	CORD HOLDER	1
28-10	42TN014-0000	PLUNGER PIN	1
29	SCS-993-2000	NEEDLE BAR SWITCH PUSH LEVER ASSEMBLY	1
29-1	SCS-993-0006	SYNCHRONIZER HOLD	1
29-2	SCS-993-0007	SYNCHRONIZER HOLD	1
29-3	SCS-993-0008	SYNCHRONIZER	1
29-4	SCS-993-0008-1	SCREW	1
29-5	42L101-0000	SCREW 3.57X6	2
29-6	45CE026-0000	SET SCREW3.57	2

GAUGE PARTS LIST
For GF-207-x43 (Standard)

Needle Gauge	Subclass	X-1	X-2	X-7	X-5	X13-1
		Needle Clamp Assembly 	Needle Plate 	Feed Dog 	Presser Foot Assembly 	Slide Plate (L) Assembly 
3/32" (2.4mm)	LM	42100332-00	42200332-00	42300332-01	42400332-00	42A013-0101
	H			42300332-02		
1/8" (3.2mm)	LM	42100108-00	42200108-00	42300108-01	42400108-00	
	H			42300108-02		
5/32" (4.0mm)	LM	42100532-00	42200532-00	42300532-01	42400532-00	
	H			42300532-02		
3/16" (4.8mm)	LM	42100316-00	42200316-00	42300316-01	42400316-00	
	H			42300316-02		
1/4" (6.4mm)	LM	42100104-00	42200104-00	42300104-01	42400104-00	
	H			42300104-02		
	Extra H			★42300104-03		
5/16" (7.9mm)	LM	42100516-00	42200516-00	42300516-01	42400516-00	
	H			42300516-02		
3/8" (9.5mm)	LM	42100308-00	42200308-00	42300308-01	42400308-00	
	H			42300308-02		
1/2" (12.7mm)	LM	42100102-00	42200102-00	42300102-01	42400102-00	
	H			42300102-02		
5/8" (15.9mm)	LM	42100508-00	42200508-00	42300508-01	42400508-00	
	H			42300508-02		
1" (25.4mm)	LM	42110000-00	42210000-00	42310000-01	42410000-00	
	H			42310000-02		
1 1/4" (31.8mm)	LM	42110104-00	42210104-00	42310104-01	42410104-00	
	H			42310104-02		
1 3/8" (34.9mm)	LM	42110308-00	42210308-00	42310308-01	42410308-00	
	H			42310308-02		
1 1/2" (38.1mm)	LM	42110102-00	42210102-00	42310102-01	42410102-00	
	H			42310102-02		
※2" (50.8mm)	LM	42120000-00	42220000-00	42320000-01	42420000-00	
	H			42320000-02		


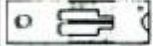


For GF-207-x46 (Thread trimmer)

Needle Gauge	Subclass	X-1	X-2	X-7	X-5	X13-1	R-14
		Needle Clamp Assembly 	Needle Plate 	Feed Dog 	Presser Foot Assembly 	Slide Plate (L) Assembly 	Thread wiper 
1/8" (3.2mm)	LM	42100108-00	42200108-10	42300108-11	42400108-00	42A013-0101	42TR014-0000
	H			42300108-12			
5/32" (4.0mm)	LM	42100532-00	42200532-10	42300532-11	42400532-00		
	H			42300532-12			
3/16" (4.8mm)	LM	42100316-00	42200316-10	42300316-11	42400316-00		
	H			42300316-12			
1/4" (6.4mm)	LM	42100104-00	42200104-10	42300104-11	42400104-00		
	H			42300104-12			
	Extra H			★42300104-13			
5/16" (7.9mm)	LM	42100516-00	42200516-10	42300516-11	42400516-00		
	H			42300516-12			
3/8" (9.5mm)	LM	42100308-00	42200308-10	42300308-11	42400308-00		
	H			42300308-12			
1/2" (12.7mm)	LM	42100102-00	42200102-10	42300102-11	42400102-00		
	H			42300102-12			
5/8" (15.9mm)	LM	42100508-00	42200508-10	42300508-11	42400508-00		
	H			42300508-12			
1" (25.4mm)	LM	42110000-00	42210000-10	42310000-11	42410000-00		
	H			42310000-12			
1 1/4" (31.8mm)	LM	42110104-00	42210104-10	42310104-11	42410104-00		
	H			42310104-12			
1 1/2" (38.1mm)	LM	42110102-00	42210102-10	42310102-11	42410102-00		
	H			42310102-12			

- ① Needle hole dimensions for heavy materials (indicated by a ★) are shown in the figure at the right.
 ② This mark ※ For GF-207-14x use only



For GF-210-x43 (Standard)

Needle Gauge	Subclass	X-1	X-2	X-7	X-5
		Needle Clamp Assembly 	Needle Plate 	Feed Dog 	Presser Foot Assembly 
1/8" (3.2mm)	LM	(L)45100108-00	42200108-00	42300108-01	42400108-00
	H	(R)45100108-00		42300108-02	
5/32" (4.0mm)	LM	(L)45100532-00	42200532-00	42300532-01	42400532-00
	H	(R)45100532-00		42300532-02	
3/16" (4.8mm)	LM	(L)45100316-00	42200316-00	42300316-01	42400316-00
	H	(R)45100316-00		42300316-02	
1/4" (6.4mm)	LM	(L)45100104-00	42200104-00	42300104-01	42400104-00
	H	(R)45100104-00		42300104-02	
	Extra H			★42300104-03	
5/16" (7.9mm)	LM	(L)45100106-00	42200516-00	42300516-01	42400516-00
	H	(R)45100106-00		42300516-02	
3/8" (9.5mm)	LM	(L)45100308-00	42200308-00	42300308-01	42400308-00
	H	(R)45100308-00		42300308-02	
7/16" (11.1mm)	LM	(L)45100716-00	42200716-00	42300716-01	42400716-00
	H	(R)45100716-00		42300716-02	
1/2" (12.7mm)	LM	(L)45100102-00	42200102-00	42300102-01	42400102-00
	H	(R)45100102-00		42300102-02	
5/8" (15.9mm)	LM	(L)45100508-00	42200508-00	42300508-01	42400508-00
	H	(R)45100508-00		42300508-02	

For GF-210-x46(7)/ACS (Thread trimmer)

Needle Gauge	Subclass	X-1	X-2	X-7	X-5
		Needle Clamp Assembly 	Needle Plate 	Feed Dog 	Presser Foot Assembly 
1/8" (3.2mm)	LM	(L)45100108-00	42200108-10	42300108-11	42400108-00
	H	(R)45100108-00		42300108-12	
5/32" (4.0mm)	LM	(L)45100532-00	42200532-10	42300532-11	42400532-00
	H	(R)45100532-00		42300532-12	
3/16" (4.8mm)	LM	(L)45100316-00	42200316-10	42300316-11	42400316-00
	H	(R)45100316-00		42300316-12	
7/32" (5.6mm)	LM	(L)45100732-00	42300732-10	42300732-11	42400732-00
	H	(R)45100732-00		42300732-12	
1/4" (6.4mm)	LM	(L)45100104-00	42200104-10	42300104-11	42400104-00
	H	(R)45100104-00		42300104-12	
	Extra H			★42300104-13	
9/32" (7.1mm)	LM	(L)45100932-00	42200932-10	42300932-11	42400932-00
	H	(R)45100932-00		42300932-12	
5/16" (7.9mm)	LM	(L)45100106-00	42200516-10	42300516-11	42400516-00
	H	(R)45100106-00		42300516-12	
3/8" (9.5mm)	LM	(L)45100308-00	42200308-10	42300308-11	42400308-00
	H	(R)45100308-00		42300308-12	
7/16" (11.1mm)	LM	(L)45100716-00	42200716-10	42300716-11	42400716-00
	H	(R)45100716-00		42300716-12	
1/2" (12.7mm)	LM	(L)45100102-00	42200102-10	42300102-11	42400102-00
	H	(R)45100102-00		42300102-12	
5/8" (15.9mm)	LM	(L)45100508-00	42200508-10	42300508-11	42400508-00
	H	(R)45100508-00		42300508-12	

© Needle hole dimensions for heavy materials(indicated by a ★) are shown in the figure at the right.



www.garudan.cz